

**Project:**  
Fuel Retail Outlet

COMMENTS

1. ALL EXTERNAL WALL SHOULD BE STONE MASONARY
2. TIMBER CORNICES TO BE PROVIDED.

**Location:**

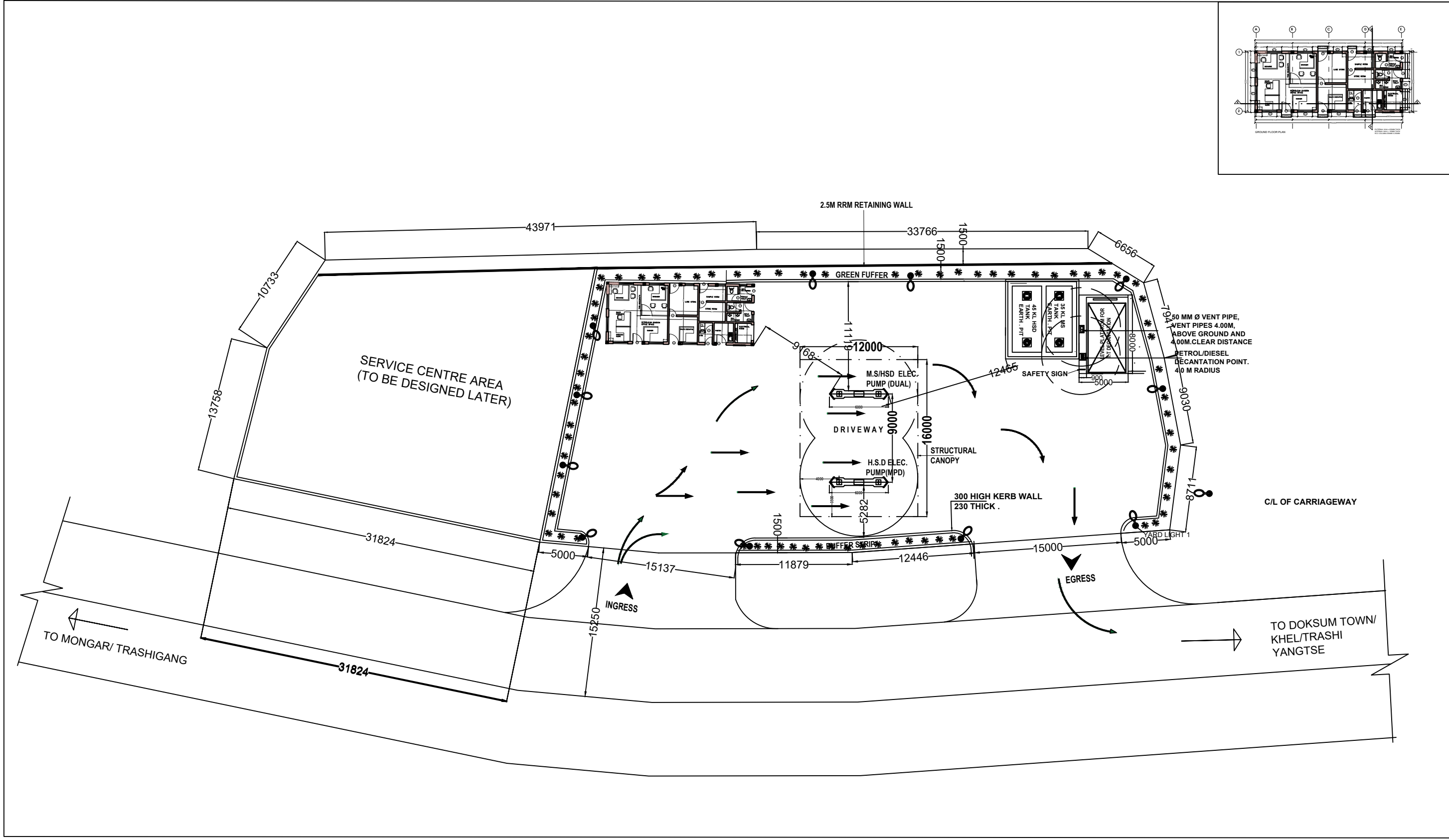
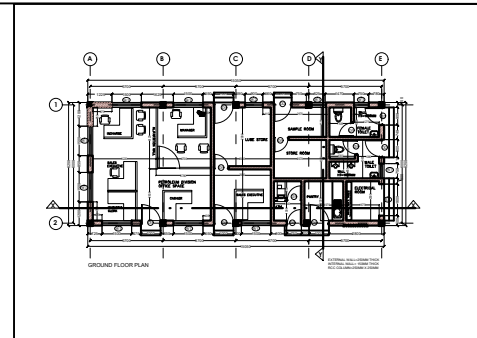
Dzongkhag: Trashiyangtse  
(Jamkhar)

CERTIFICATE NO: TYE-195-1  
PLOT ID: LJAM-20

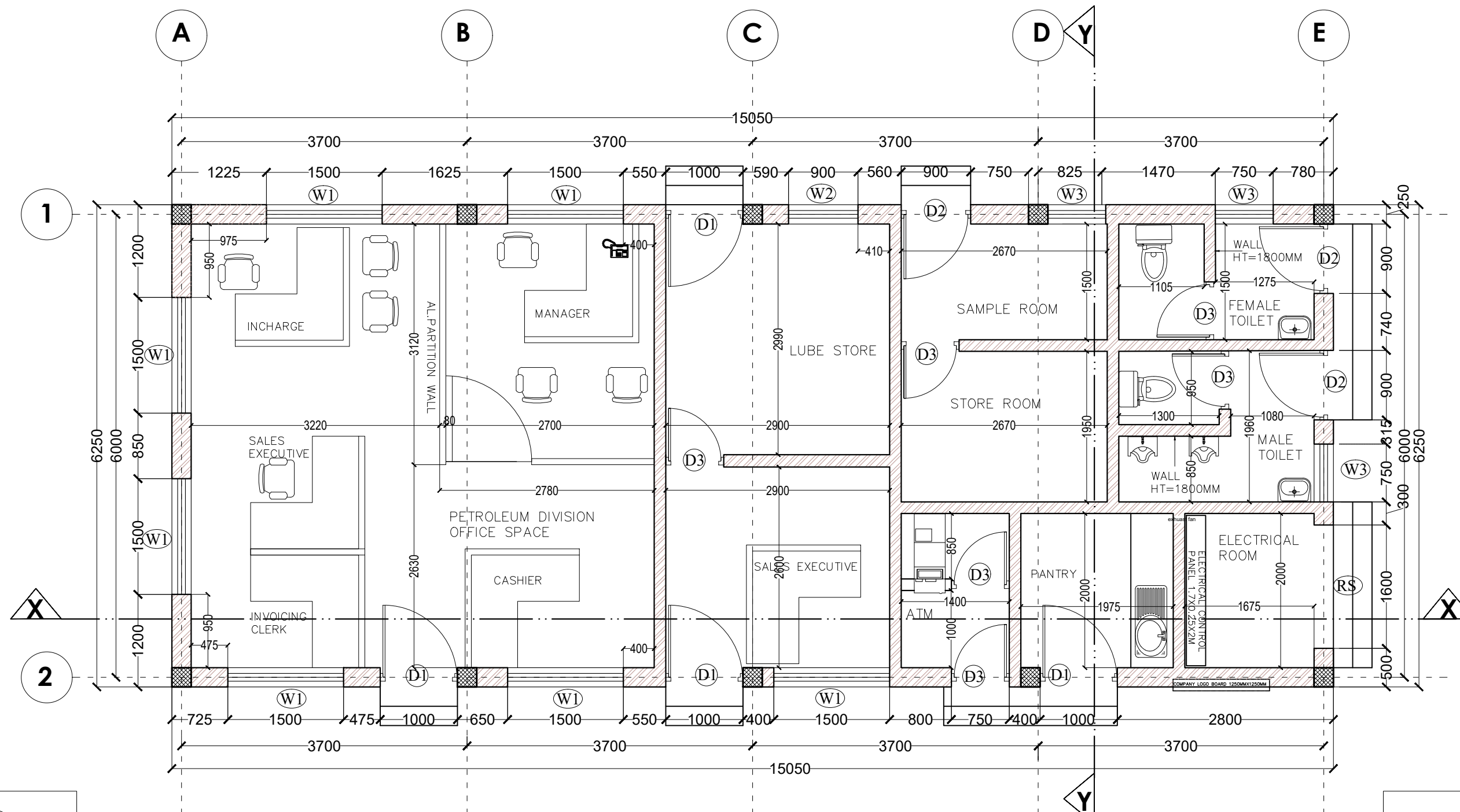
**Owner**

State Trading Corporation of Bhutan Ltd

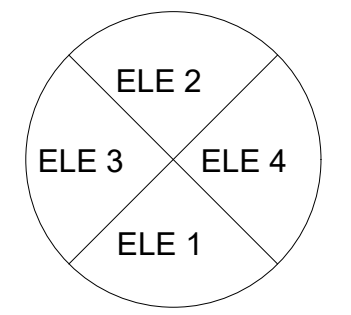
**ARCHITECTURE DRAWINGS**



<b>PROJECT TITLE :</b> Fuel Retail Outlet		<b>LOCATION :</b> JAMKHAR, TRASHIYANGTSE		<b>DATE:</b> NOVEMBER, 2021	<b>SHEET NO</b> AR- 01	<b>NOTE:</b> ALL DIMENSIONS ARE IN MILLIMETERS UNLESS SPECIFIED OTHERWISE ALL DIMENSIONS MEASURE UNFINISHED SURFACES UNLESS SPECIFIED OTHERWISE ALL DIMENSIONS ARE TO BE READ AND NOT SCALE OFF ANY DISCREPANCY IN DRAWING IS TO BE BROUGHT TO THE IMMEDIATE NOTICE OF THE ARCHITECT AND THE ENGINEER	www.greendesign.com.bt gdshutan@gmail.com +975 1763132277845668 FLAT NO 8/11 CONVENIENT STORE NEXT TO THIMPHU THROUGH BUILDING THIMPHU: BHUTAN
<b>DRAWING TITLE :</b> SITE PLAN	SCALE : NTS	<b>CERTIFICATE NO-</b> TYE-195-1	<b>PLOT NO-</b> LJAM-20	<b>OWNER:</b> STCBL	<b>DESIGN &amp; DRAWN BY</b>		



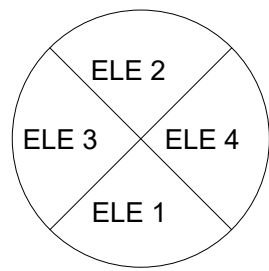
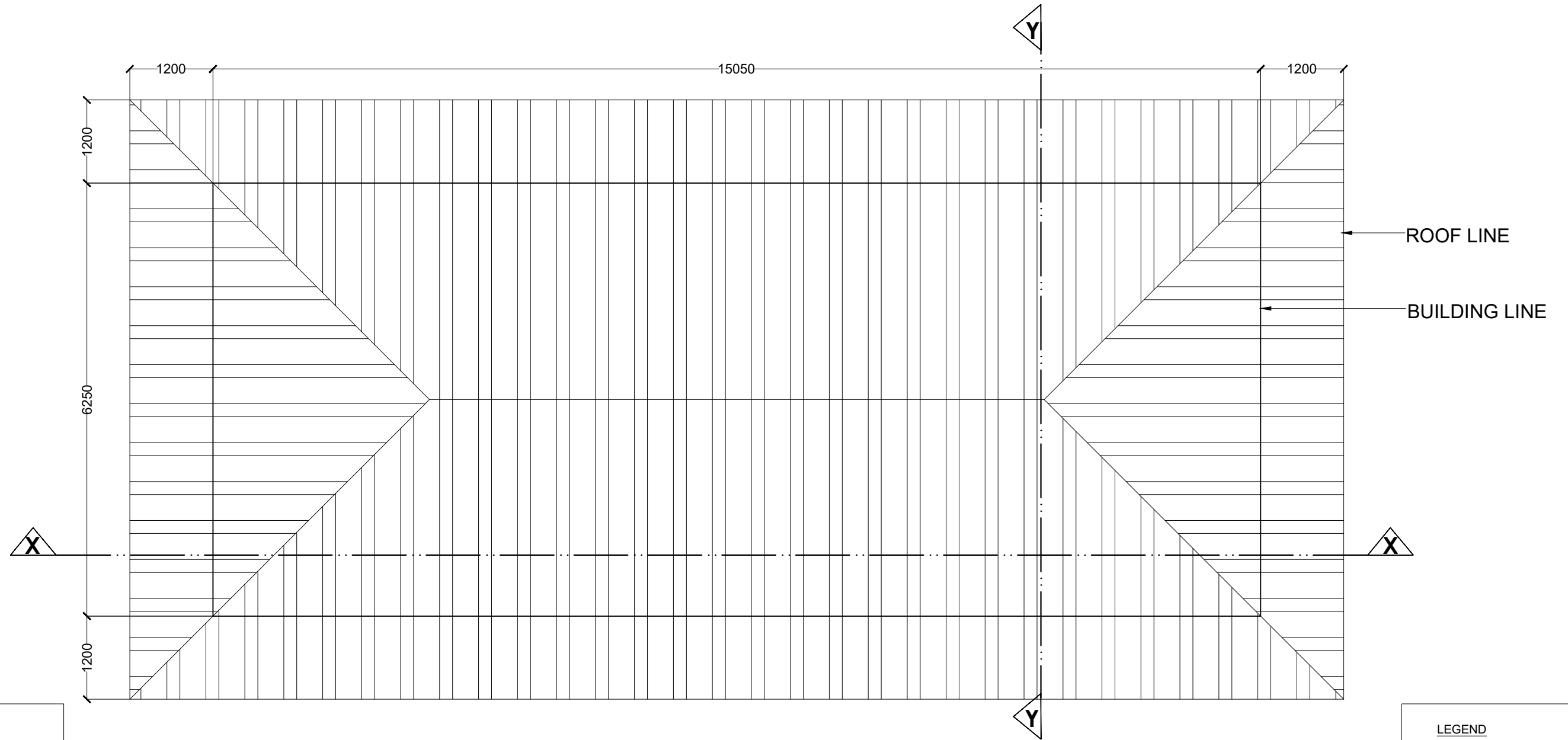
GROUND FLOOR PLAN



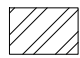
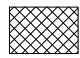
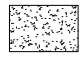
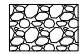
ALL EXTERNAL WALLS SHOULD BE STONE MASONRY

LEGEND	
	- BRICK WALL
	- RCC
	- PCC
	- STONE SOLING

PROJECT TITLE : Fuel Retail Outlet		LOCATION : JAMKHAR, TRASHIYANGTSE	DATE: NOVEMBER, 2021	SHEET NO AR- 02	NOTE: ALL DIMENSIONS ARE IN MILLIMETERS UNLESS SPECIFIED OTHERWISE ALL DIMENSIONS MEASURE UNFINISHED SURFACES UNLESS SPECIFIED OTHERWISE ALL DIMENSIONS ARE TO BE READ AND NOT SCALE OFF ANY DISCREPANCY IN DRAWING IS TO BE BROUGHT TO THE IMMEDIATE NOTICE OF THE ARCHITECT AND THE ENGINEER	www.greendesign.com.bt gdshbhatang@gmail.com +975 1763132277845668 FLAT NO 8/11 CONVENIENT LAM STORE NEXT TO THIMPHU THROMDE BUILDING THIMPHU: BHUTAN
DRAWING TITLE : GROUND FLOOR PLAN	SCALE : NTS	CERTIFICATE NO- TYE-195-1	PLOT NO- LJAM-20	OWNER: STCBL		



**LEGEND**

-  - BRICK WALL
-  - RCC
-  - PCC
-  - STONE SOLING

PROJECT TITLE : Fuel Retail Outlet



LOCATION :  
JAMKHAR,  
TRASHIYANGTSE

DATE:  
NOVEMBER, 2021

SHEET NO AR- 03

**NOTE:**

ALL DIMENSIONS ARE IN MILLIMETERS UNLESS SPECIFIED OTHERWISE  
ALL DIMENSIONS MEASURE UNFINISHED SURFACES UNLESS SPECIFIED OTHERWISE  
ALL DIMENSIONS ARE TO BE READ AND NOT SCALE OFF  
ANY DISCREPANCY IN DRAWING IS TO BE BROUGHT TO THE IMMEDIATE NOTICE OF THE ARCHITECT AND THE ENGINEER

DRAWING TITLE : **ROOF PLAN**

SCALE : NTS

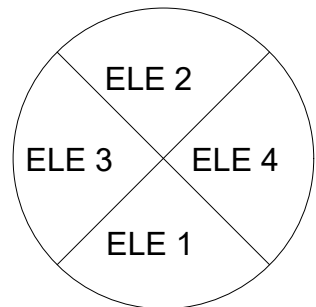
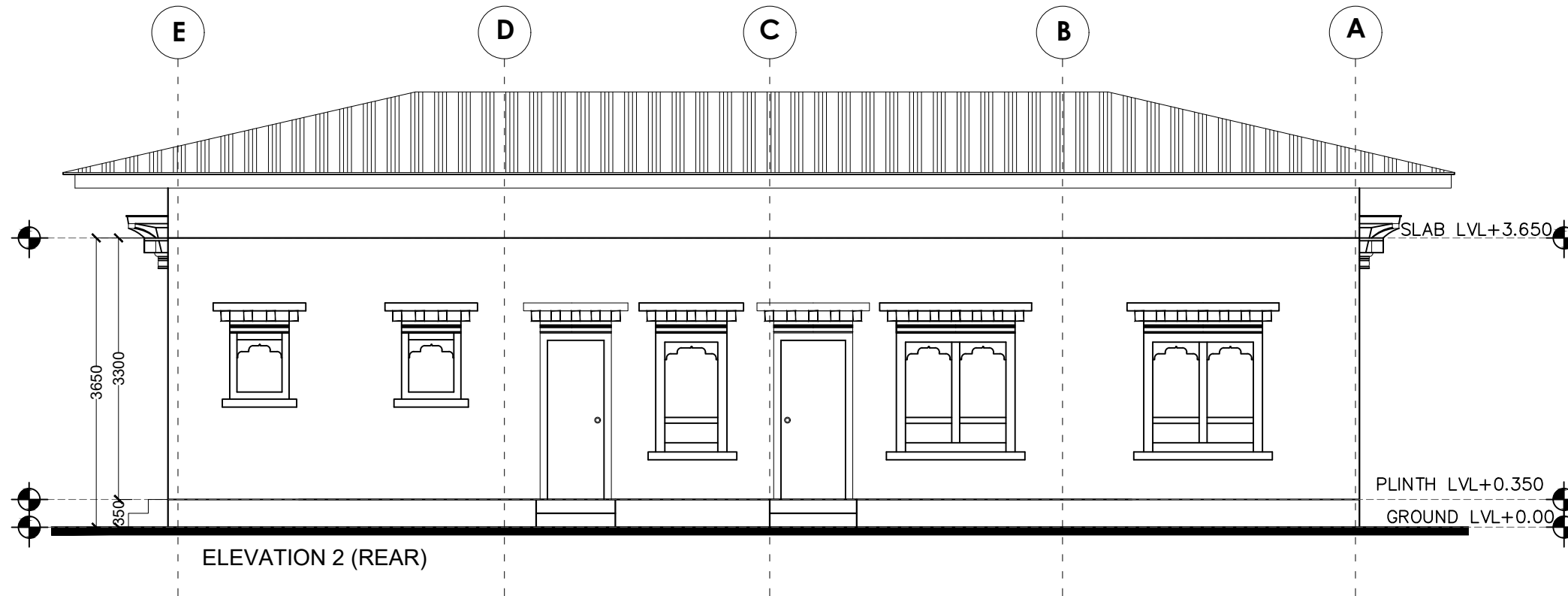
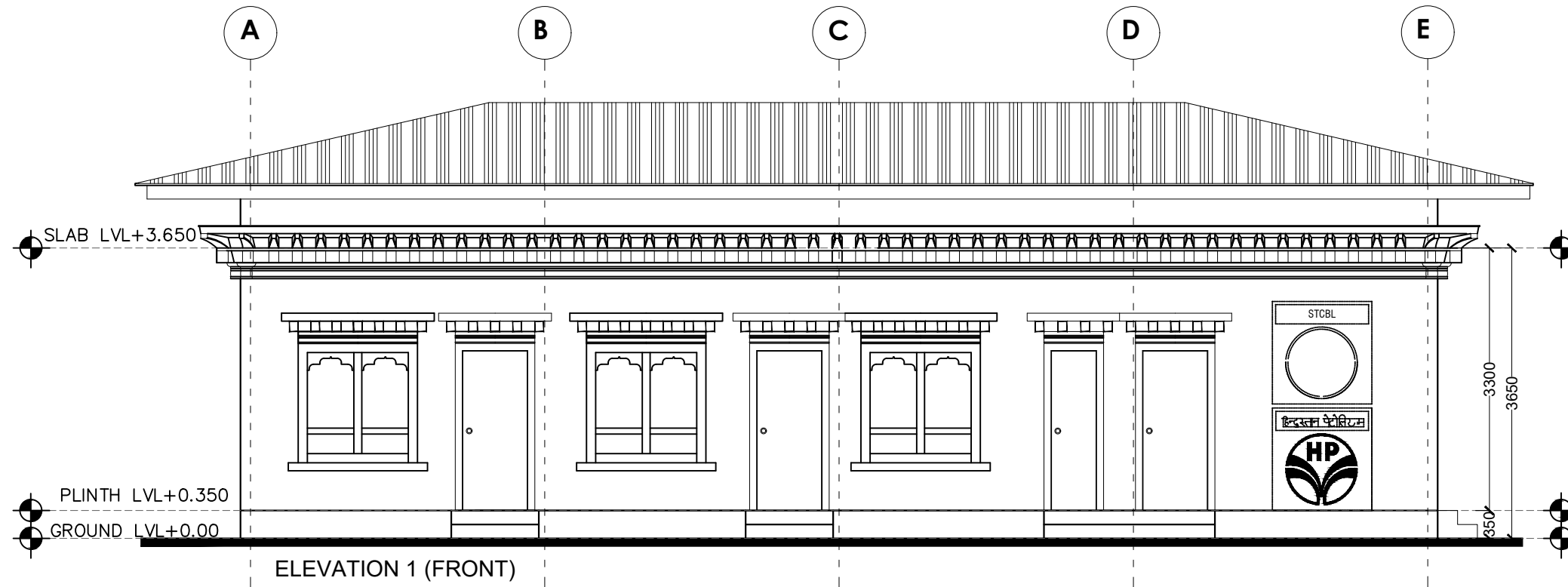
CERTIFICATE  
NO- TYE-195-1


PLOT NO-  
LJAM-20

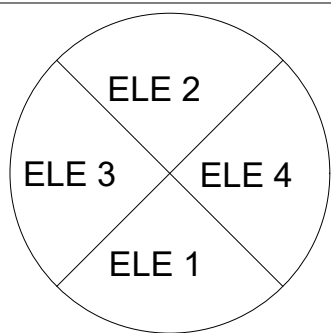
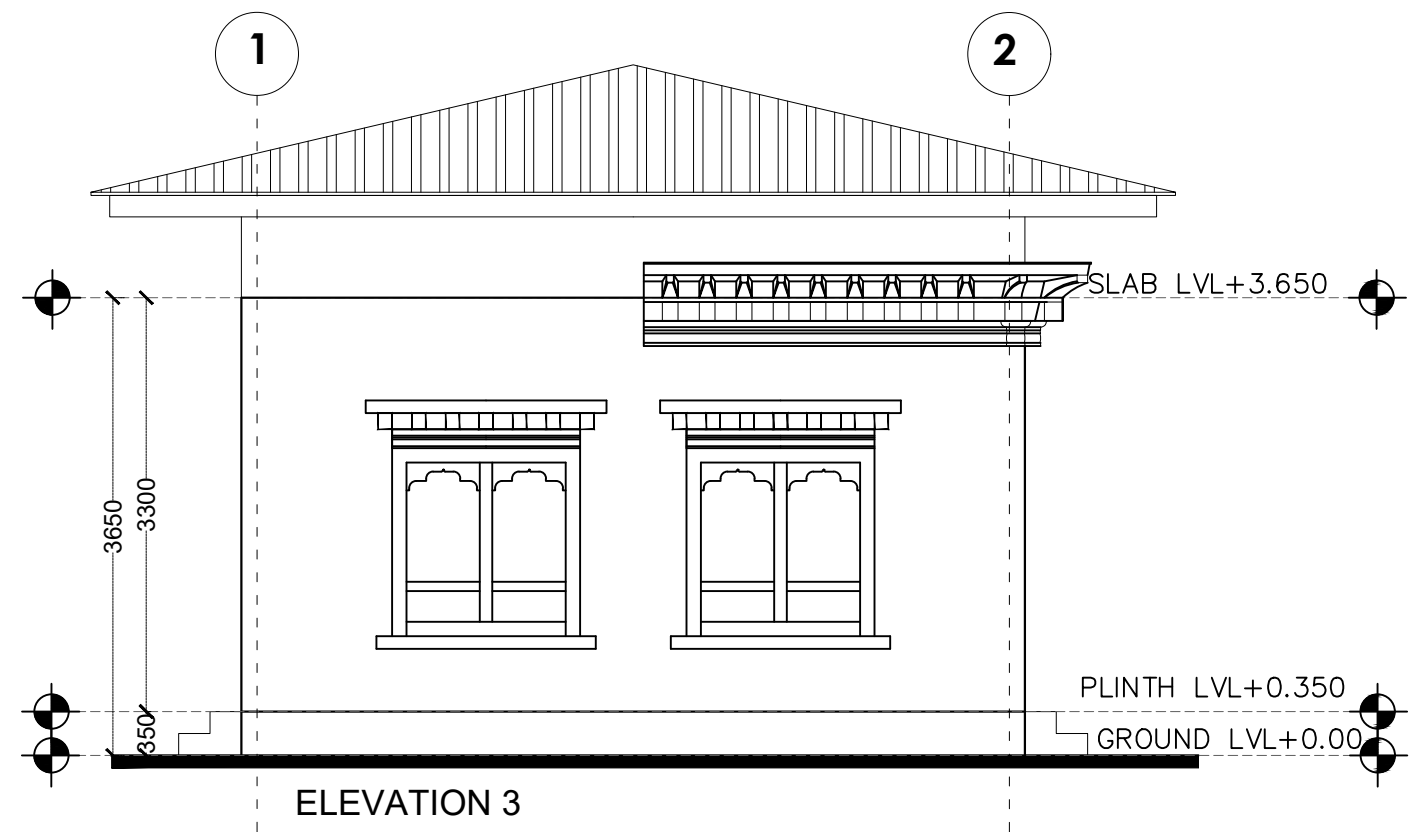
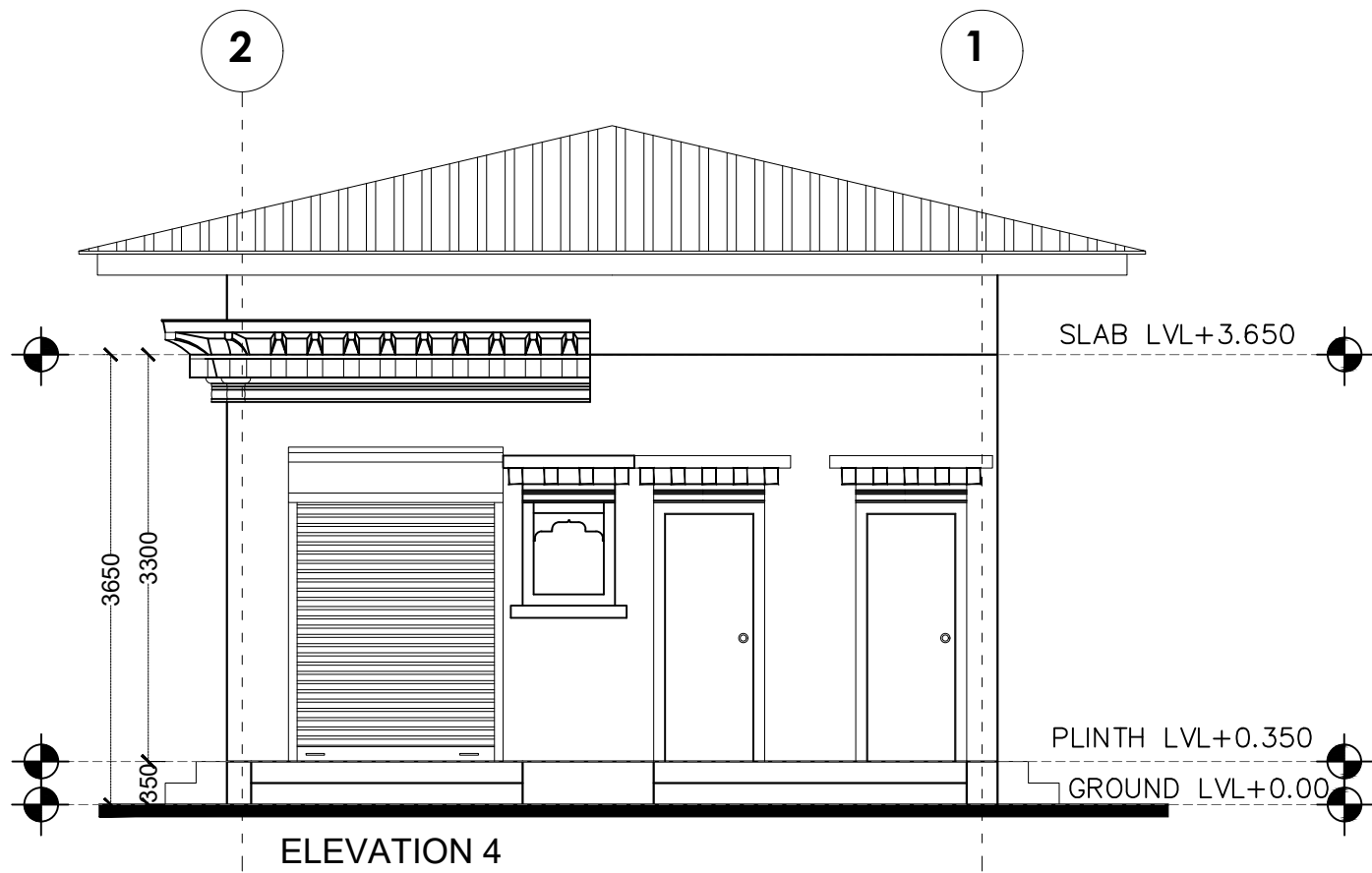
OWNER:  
STCBL

DESIGN & DRAWN BY

www.greendesign.com.bt  
gdshutang@gmail.com  
+975 1763132277845668  
FLAT NO 8/11 CONVENIENT  
STORE NEXT TO THIMPHU  
THROMDE BUILDING  
THIMPHU: BHUTAN



PROJECT TITLE : Fuel Retail Outlet	 SCALE : NTS	LOCATION : JAMKHAR, TRASHIYANGTSE		DATE: NOVEMBER, 2021	SHEET NO AR- 04	<b>NOTE:</b> ALL DIMENSIONS ARE IN MILLIMETERS UNLESS SPECIFIED OTHERWISE ALL DIMENSIONS MEASURE UNFINISHED SURFACES UNLESS SPECIFIED OTHERWISE ALL DIMENSIONS ARE TO BE READ AND NOT SCALE OFF ANY DISCREPANCY IN DRAWING IS TO BE BROUGHT TO THE IMMEDIATE NOTICE OF THE ARCHITECT AND THE ENGINEER	<small>www.greendesign.com.bt          gds@btanet.com          +975 1763132277845668          FLAT NO 8/11 CONVENIENT          STORE NEXT TO THIMPHU          THROMDE BUILDING          THIMPHU: BHUTAN</small>
		DRAWING TITLE : ELEVATIONS	CERTIFICATE NO- TYE-195-1	PLOT NO- LJAM-20	OWNER: STCBL		



ELEVATION 4

ELEVATION 3

PROJECT TITLE : Fuel Retail Outlet



LOCATION :  
JAMKHAR,  
TRASHIYANGTSE

DATE:  
NOVEMBER, 2021

SHEET NO AR- 05

NOTE:

ALL DIMENSIONS ARE IN MILLIMETERS UNLESS SPECIFIED OTHERWISE  
ALL DIMENSIONS MEASURE UNFINISHED SURFACES UNLESS SPECIFIED OTHERWISE  
ALL DIMENSIONS ARE TO BE READ AND NOT SCALE OFF  
ANY DISCREPANCY IN DRAWING IS TO BE BROUGHT TO THE IMMEDIATE  
NOTICE OF THE ARCHITECT AND THE ENGINEER

DRAWING TITLE : ELEVATIONS

SCALE : NTS

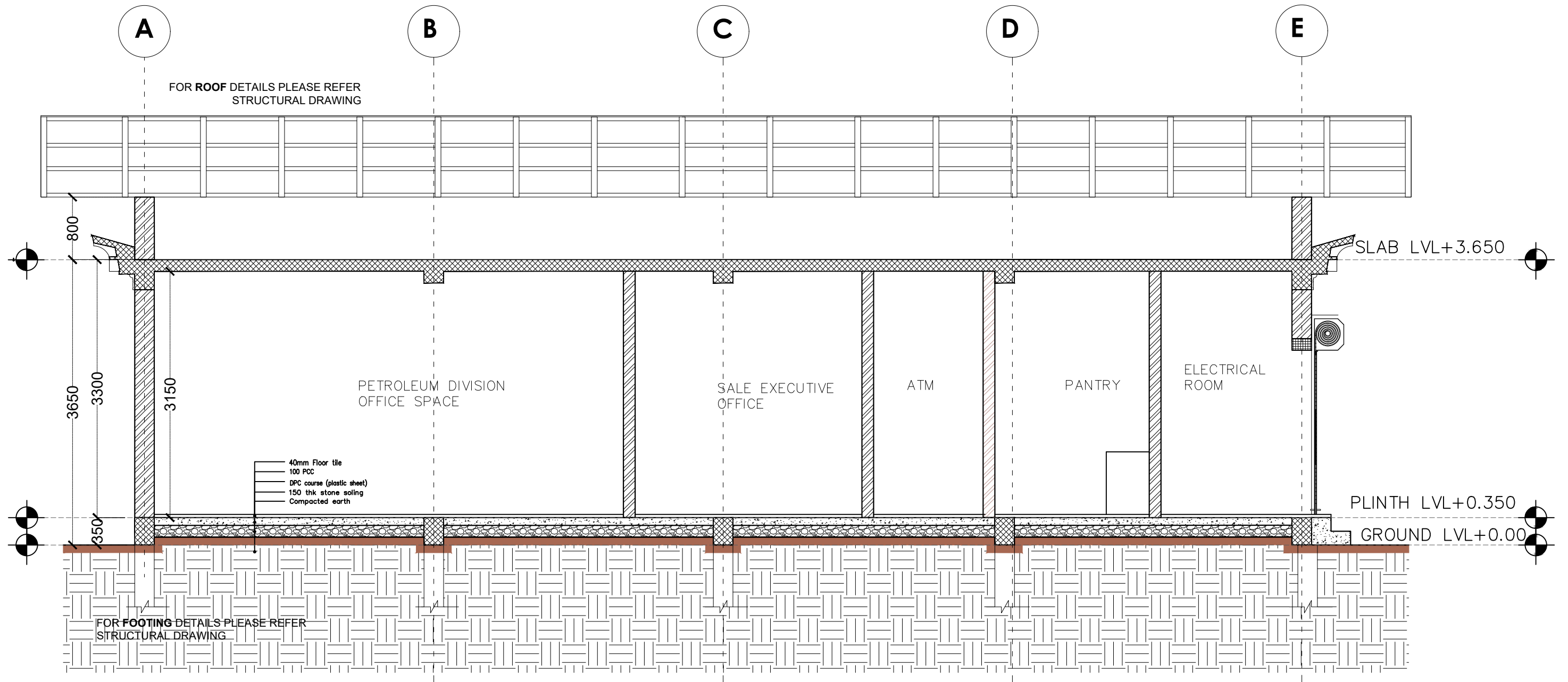
CERTIFICATE  
NO- TYE-195-1

PLOT NO-  
LJAM-20

OWNER:  
STCBL

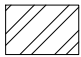

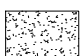
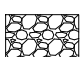
DESIGN & DRAWN BY

www.greendesign.com.bt  
gdshutan@gmail.com  
+975 1763132277845668  
FLAT NO 8/GONGDZIN LAM  
ABOVE 8/11 CONVENIENT  
STORE NEXT TO THIMPHU  
THROMDE BUILDING  
THIMPHU: BHUTAN



SECTION XX

LEGEND

-  - BRICK WALL
-  - RCC
-  - PCC
-  - STONE SOLING

PROJECT TITLE : Fuel Retail Outlet



LOCATION :  
JAMKHAR,  
TRASHIYANGTSE

DATE:  
NOVEMBER, 2021

SHEET NO AR- 06

NOTE:

ALL DIMENSIONS ARE IN MILLIMETERS UNLESS SPECIFIED OTHERWISE  
ALL DIMENSIONS MEASURE UNFINISHED SURFACES UNLESS SPECIFIED OTHERWISE  
ALL DIMENSIONS ARE TO BE READ AND NOT SCALE OFF  
ANY DISCREPANCY IN DRAWING IS TO BE BROUGHT TO THE IMMEDIATE NOTICE OF THE ARCHITECT AND THE ENGINEER

DRAWING TITLE : SECTIONS

SCALE : NTS

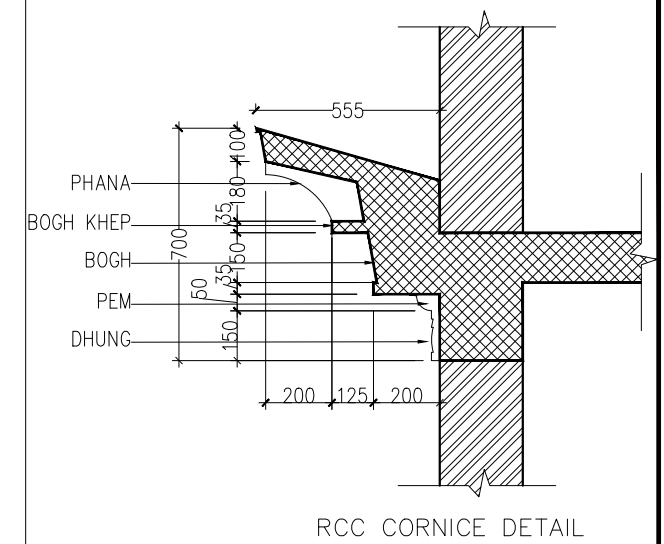
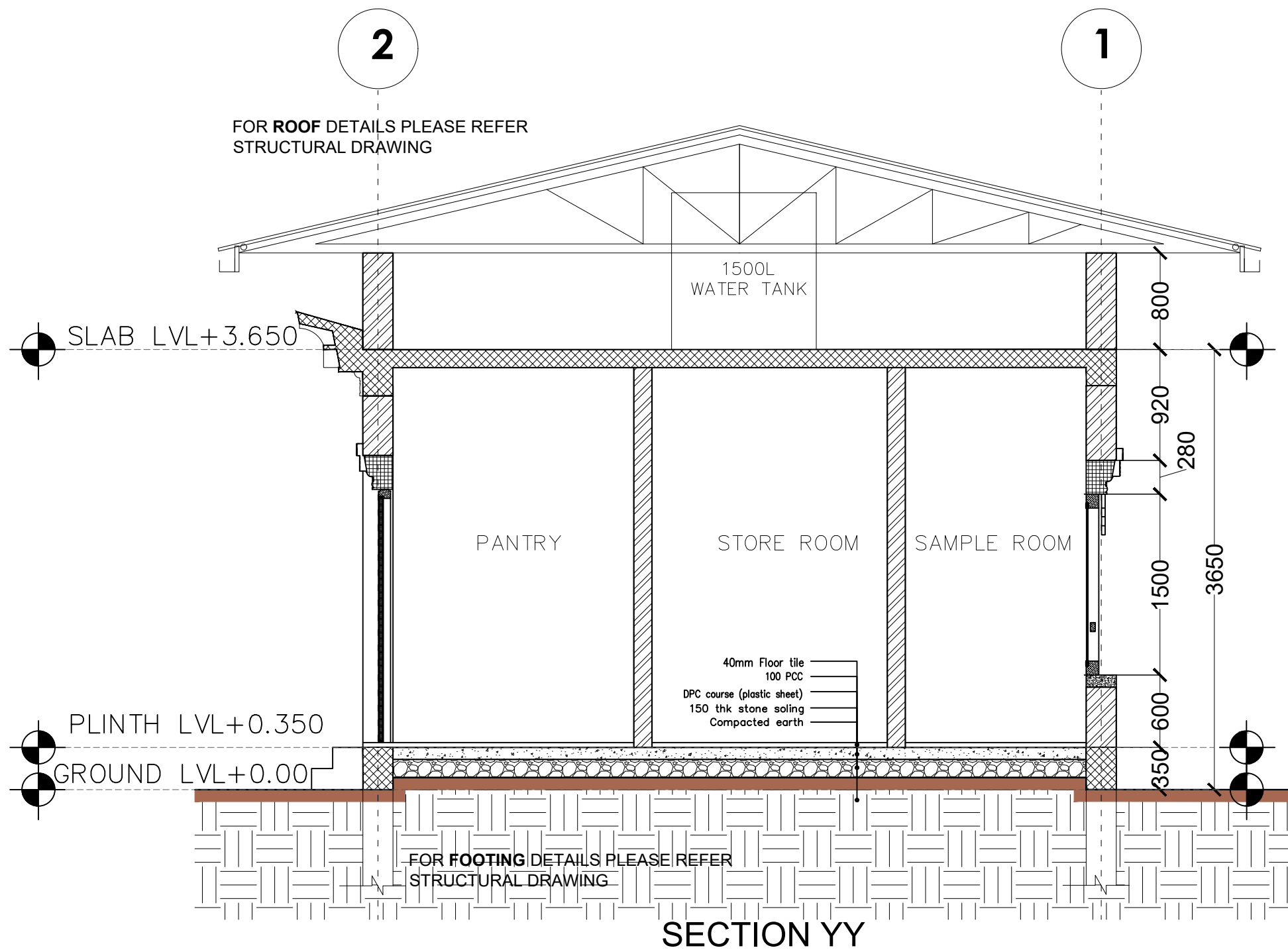
CERTIFICATE  
NO- TYE-195-1



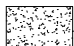
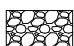
PLOT NO-  
LJAM-20

OWNER:  
STCBL

DESIGN & DRAWN BY

www.greendesign.com.bt  
gdshutang@gmail.com  
+975 1763132277845668  
FLAT NO 8/11 CONVENIENT LAM  
STORE NEXT TO THIMPHU  
THROMDE BUILDING  
THIMPHU: BHUTAN



- LEGEND**
-  - BRICK WALL
  -  - RCC
  -  - PCC
  -  - STONE SOLING

PROJECT TITLE : Fuel Retail Outlet



LOCATION :  
JAMKHAR,  
TRASHIYANGTSE

DATE:  
NOVEMBER, 2021

SHEET NO AR- 07

NOTE:

ALL DIMENSIONS ARE IN MILLIMETERS UNLESS SPECIFIED OTHERWISE  
ALL DIMENSIONS MEASURE UNFINISHED SURFACES UNLESS SPECIFIED OTHERWISE  
ALL DIMENSIONS ARE TO BE READ AND NOT SCALE OFF  
ANY DISCREPANCY IN DRAWING IS TO BE BROUGHT TO THE IMMEDIATE NOTICE OF THE ARCHITECT AND THE ENGINEER

DRAWING TITLE : SECTIONS

SCALE : NTS

CERTIFICATE  
NO- TYE-195-1

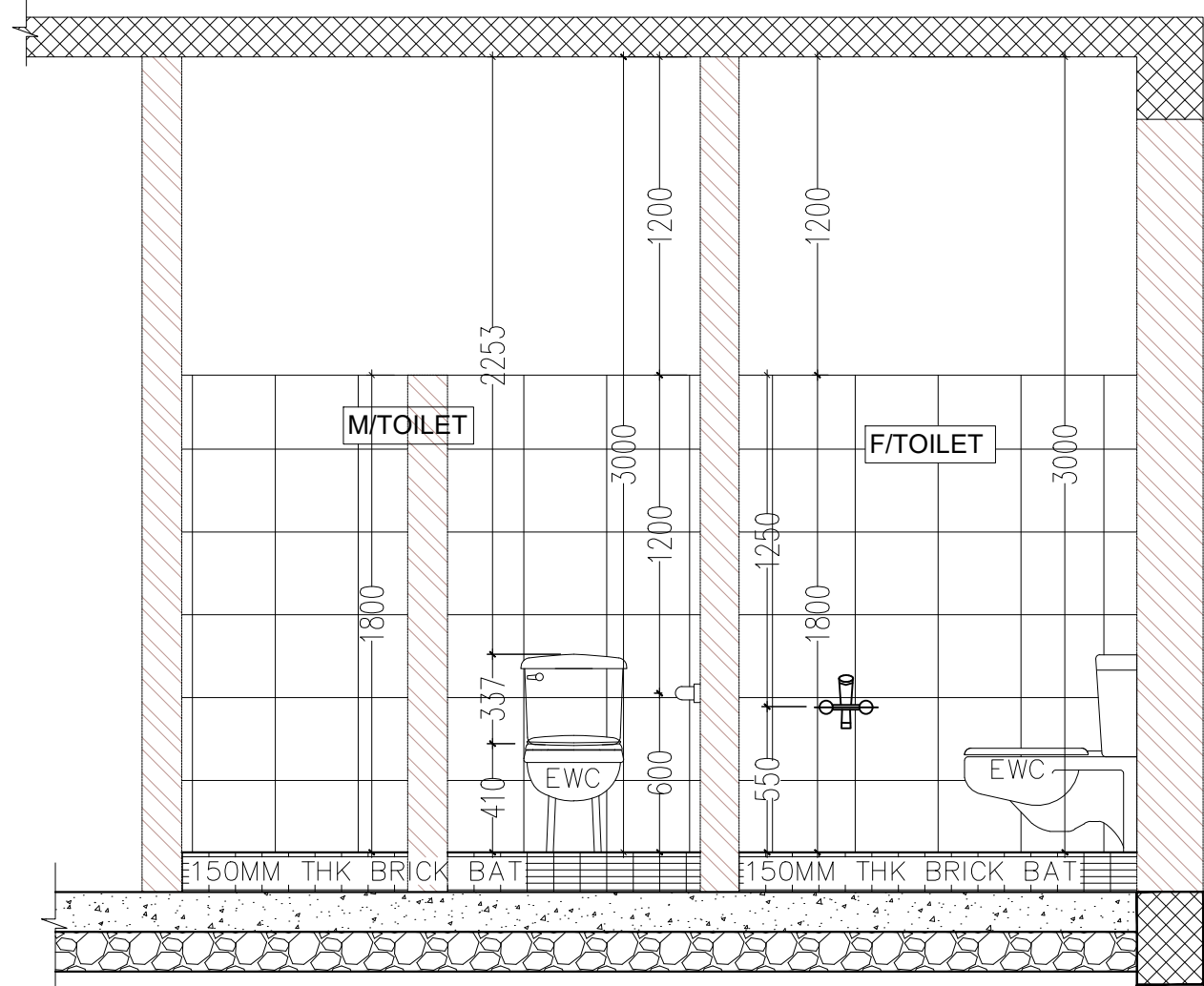
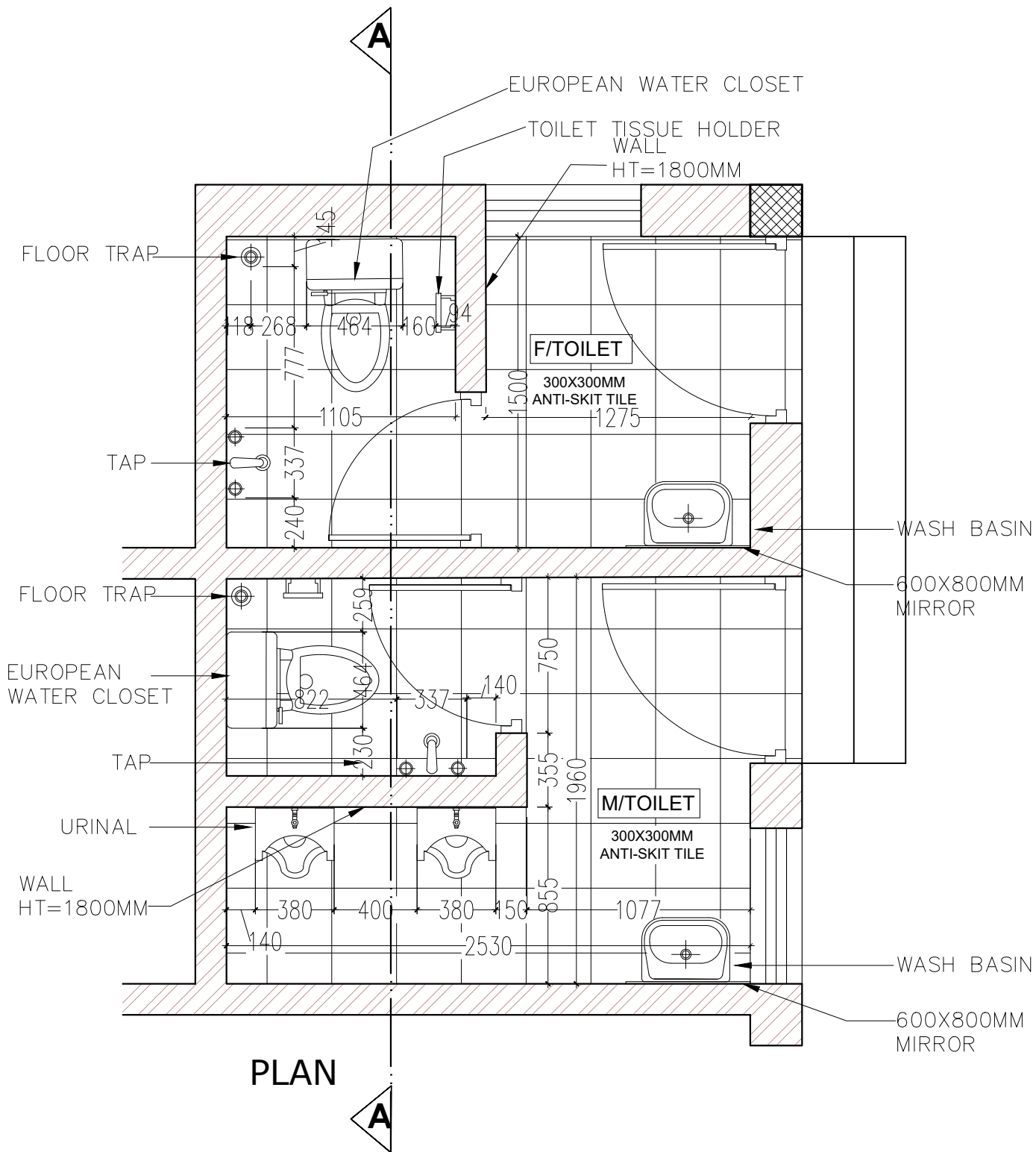
PLOT NO-  
LJAM-20

OWNER:  
STCBL

DESIGN & DRAWN BY

www.greendesign.com.bt  
gdshutang@gmail.com  
+975 176313227784568  
FLAT NO 8/GONGDZIN LAM  
STORE NEXT TO THIMPHU  
THROMDE BUILDING  
THIMPHU: BHUTAN





SECTION AA

**LEGEND**

- BRICK WALL
- RCC
- PCC
- STONE SOLING

**PROJECT TITLE :** Fuel Retail Outlet

**DRAWING TITLE :** TOILET DETAILS

SCALE : NTS

**LOCATION :**  
JAMKHAR,  
TRASHIYANGTSE

**CERTIFICATE NO- TYE-195-1**

**PLOT NO- LJAM-20**

**DATE:**  
NOVEMBER, 2021

**OWNER:**  
STCBL

**SHEET NO** AR- 08

**DESIGN & DRAWN BY**

**NOTE:**  
ALL DIMENSIONS ARE IN MILLIMETERS UNLESS SPECIFIED OTHERWISE  
ALL DIMENSIONS MEASURE UNFINISHED SURFACES UNLESS SPECIFIED OTHERWISE  
ALL DIMENSIONS ARE TO BE READ AND NOT SCALE OFF  
ANY DISCREPANCY IN DRAWING IS TO BE BROUGHT TO THE IMMEDIATE NOTICE OF THE ARCHITECT AND THE ENGINEER

www.greendesign.com.bt  
gdshutang@gmail.com  
+975 176332277845668  
FLAT NO 811 CONVENIENT LAM  
STORE NEXT TO THIMPHU  
THROMDE BUILDING  
THIMPHU: BHUTAN

## WINDOW SCHEDULE

SL NO.	ITEM	DIMENSIONS(MM)		SILL	NO.	REMARKS
		WIDTH	HEIGHT			
01.	W1	1500	1500	600	07	GLASS WINDOW
02.	W2	900	1500	600	01	GLASS WINDOW
03.	W3	750	500	1265	03	GLASS WINDOW

## DOOR SCHEDULE

SL NO.	ITEM	DIMENSIONS(MM)		SILL	NO.	REMARKS
		WIDTH	HEIGHT			
01.	D1	1000	2100	0	04	FLUSH DOOR
02.	D2	900	2100	0	03	FLUSH DOOR
03.	D3	750	2100	0	06	FLUSH DOOR
04.	RS	1600	2100	0	1	ROLLER SHUTTER

PROJECT TITLE : Fuel Retail Outlet



LOCATION :  
JAMKHAR,  
TRASHIYANGTSE

DATE:  
NOVEMBER, 2021

SHEET NO AR- 09

NOTE:

ALL DIMENSIONS ARE IN MILLIMETERS UNLESS SPECIFIED OTHERWISE  
ALL DIMENSIONS MEASURE UNFINISHED SURFACES UNLESS SPECIFIED  
OTHERWISE  
ALL DIMENSIONS ARE TO BE READ AND NOT SCALE OFF  
ANY DISCREPANCY IN DRAWING IS TO BE BROUGHT TO THE IMMEDIATE  
NOTICE OF THE ARCHITECT AND THE ENGINEER

DRAWING TITLE : **WINDOW & DOOR SCHEDULE**

SCALE : NTS

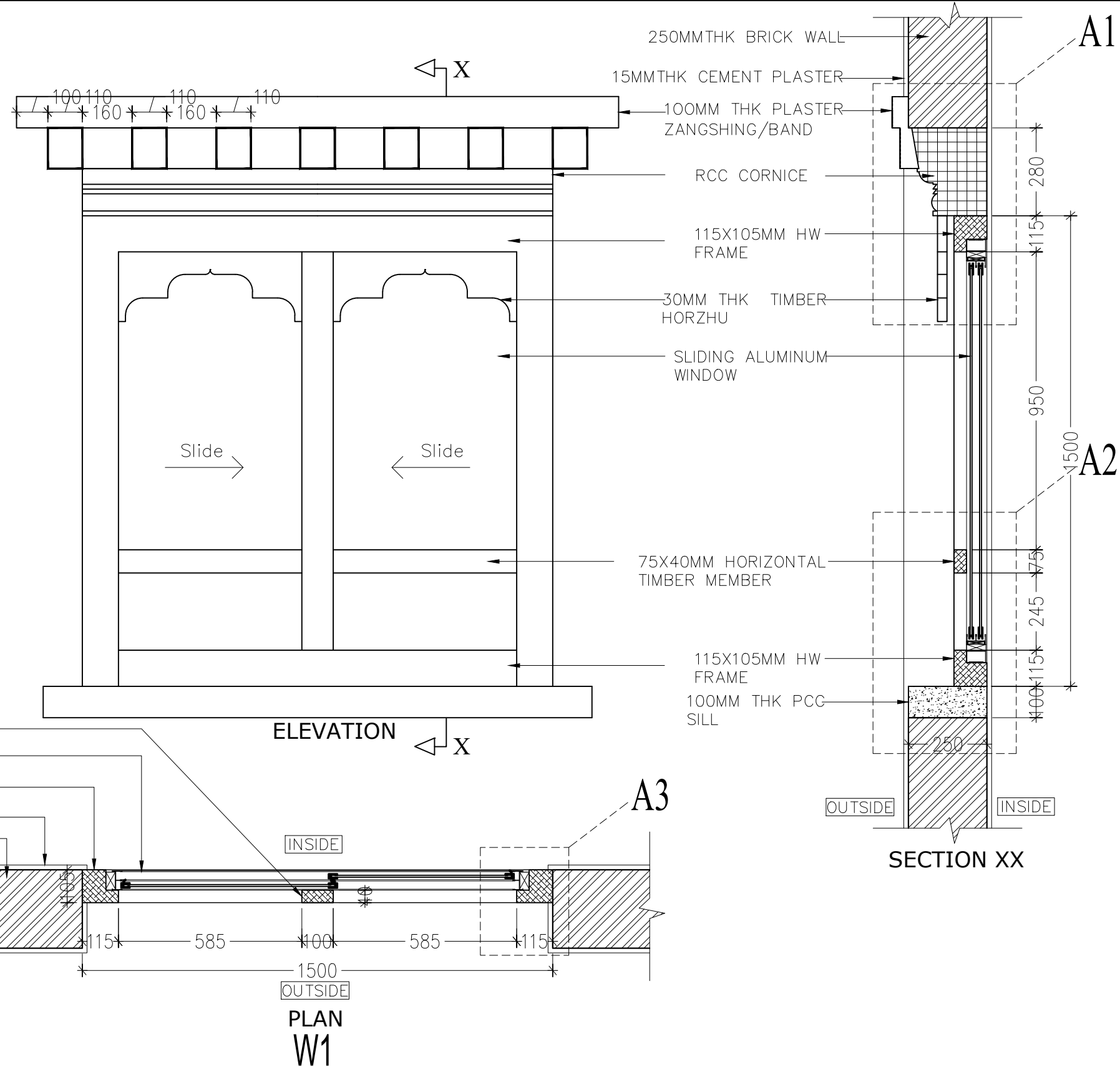
CERTIFICATE  
NO- TYE-195-1


PLOT NO-  
LJAM-20

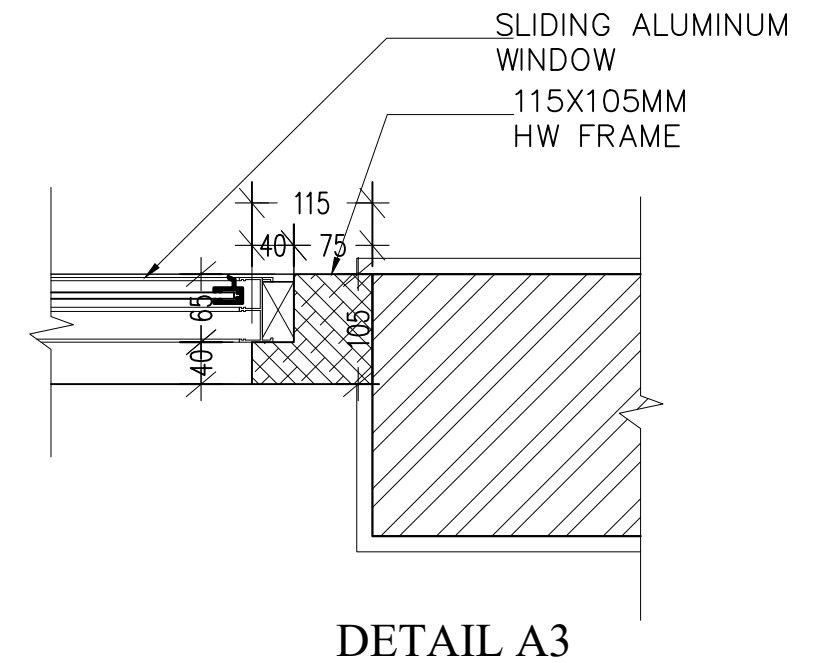
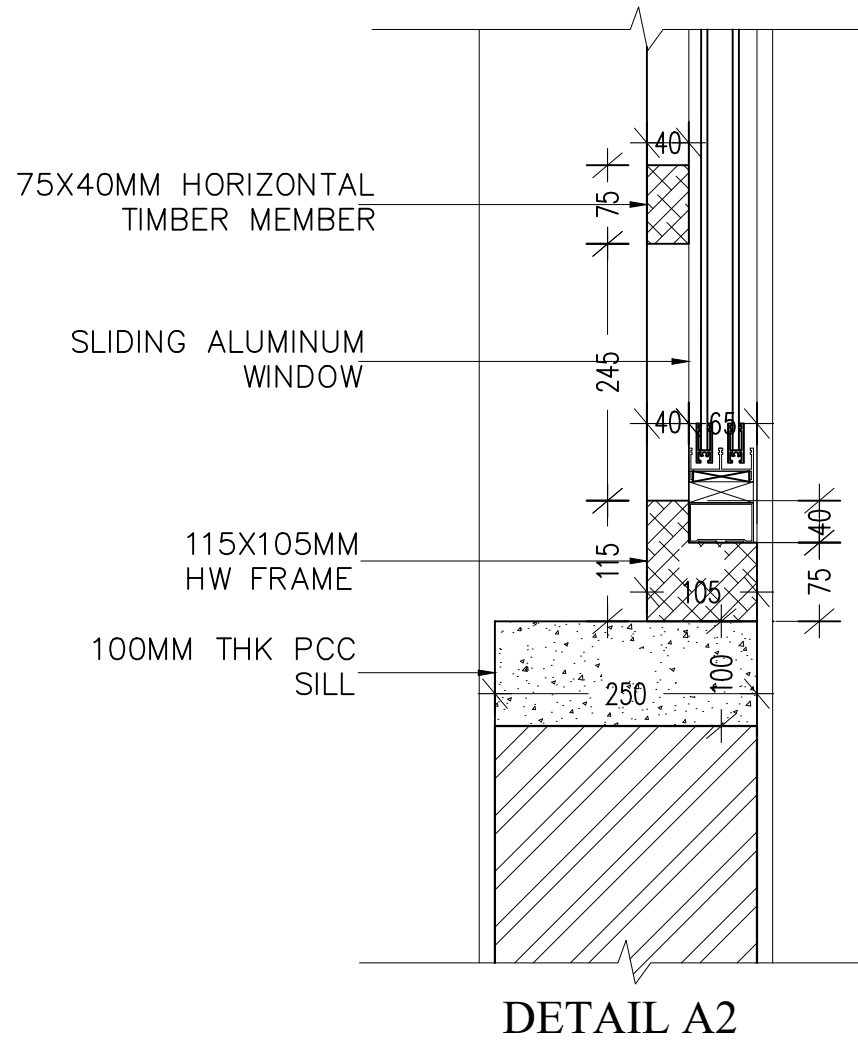
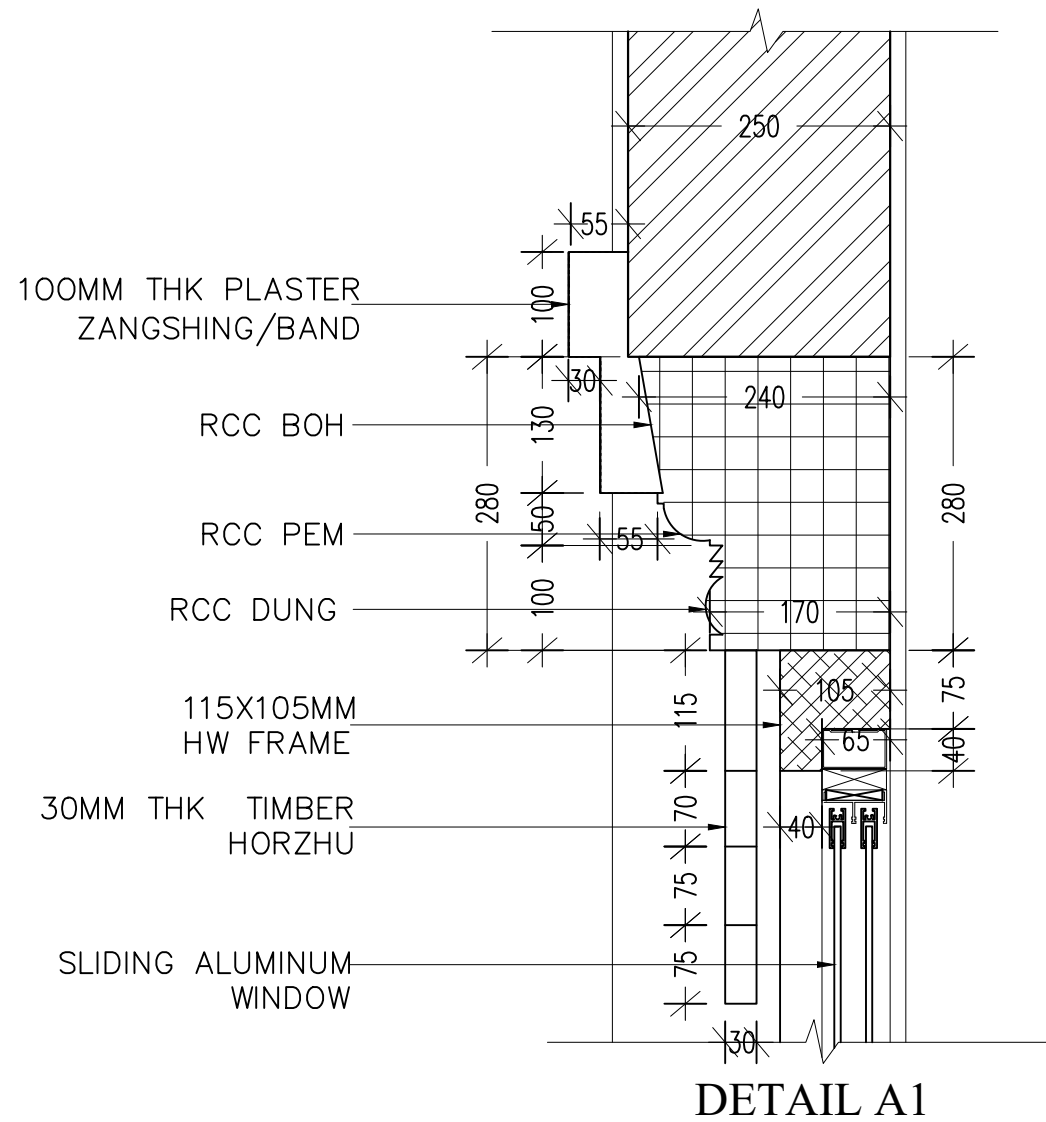
OWNER:  
STCBL

DESIGN & DRAWN BY

www.greendesign.com.bt  
gdshutan@gmail.com  
+975 17613227784568  
FLAT NO 8/11 CONVENIENT  
STORE NEXT TO THIMPHU  
THROMDE BUILDING  
THIMPHU: BHUTAN



PROJECT TITLE : Fuel Retail Outlet	 SCALE : NTS	LOCATION : JAMKHAR, TRASHIYANGTSE	DATE: NOVEMBER, 2021	SHEET NO AR- 10	<b>NOTE:</b> ALL DIMENSIONS ARE IN MILLIMETERS UNLESS SPECIFIED OTHERWISE ALL DIMENSIONS MEASURE UNFINISHED SURFACES UNLESS SPECIFIED OTHERWISE ALL DIMENSIONS ARE TO BE READ AND NOT SCALE OFF ANY DISCREPANCY IN DRAWING IS TO BE BROUGHT TO THE IMMEDIATE NOTICE OF THE ARCHITECT AND THE ENGINEER	<small>www.greendesign.com.bt          gdshutang@gmail.com          +975 1763132277845668          FLAT NO 8/1 CONVENIENT          STORE NEXT TO THIMPHU          THROMDE BUILDING          THIMPHU: BHUTAN</small>	
DRAWING TITLE : WINDOW DETAILS		CERTIFICATE NO- TYE-195-1	PLOT NO- LJAM-20	OWNER: STCBL			DESIGN & DRAWN BY



PROJECT TITLE : Fuel Retail Outlet



LOCATION :  
JAMKHAR,  
TRASHIYANGTSE

DATE:  
NOVEMBER, 2021

SHEET NO AR- 11

NOTE:

ALL DIMENSIONS ARE IN MILLIMETERS UNLESS SPECIFIED OTHERWISE  
ALL DIMENSIONS MEASURE UNFINISHED SURFACES UNLESS SPECIFIED OTHERWISE  
ALL DIMENSIONS ARE TO BE READ AND NOT SCALE OFF  
ANY DISCREPANCY IN DRAWING IS TO BE BROUGHT TO THE IMMEDIATE NOTICE OF THE ARCHITECT AND THE ENGINEER

DRAWING TITLE : **WINDOW DETAILS**

SCALE : NTS

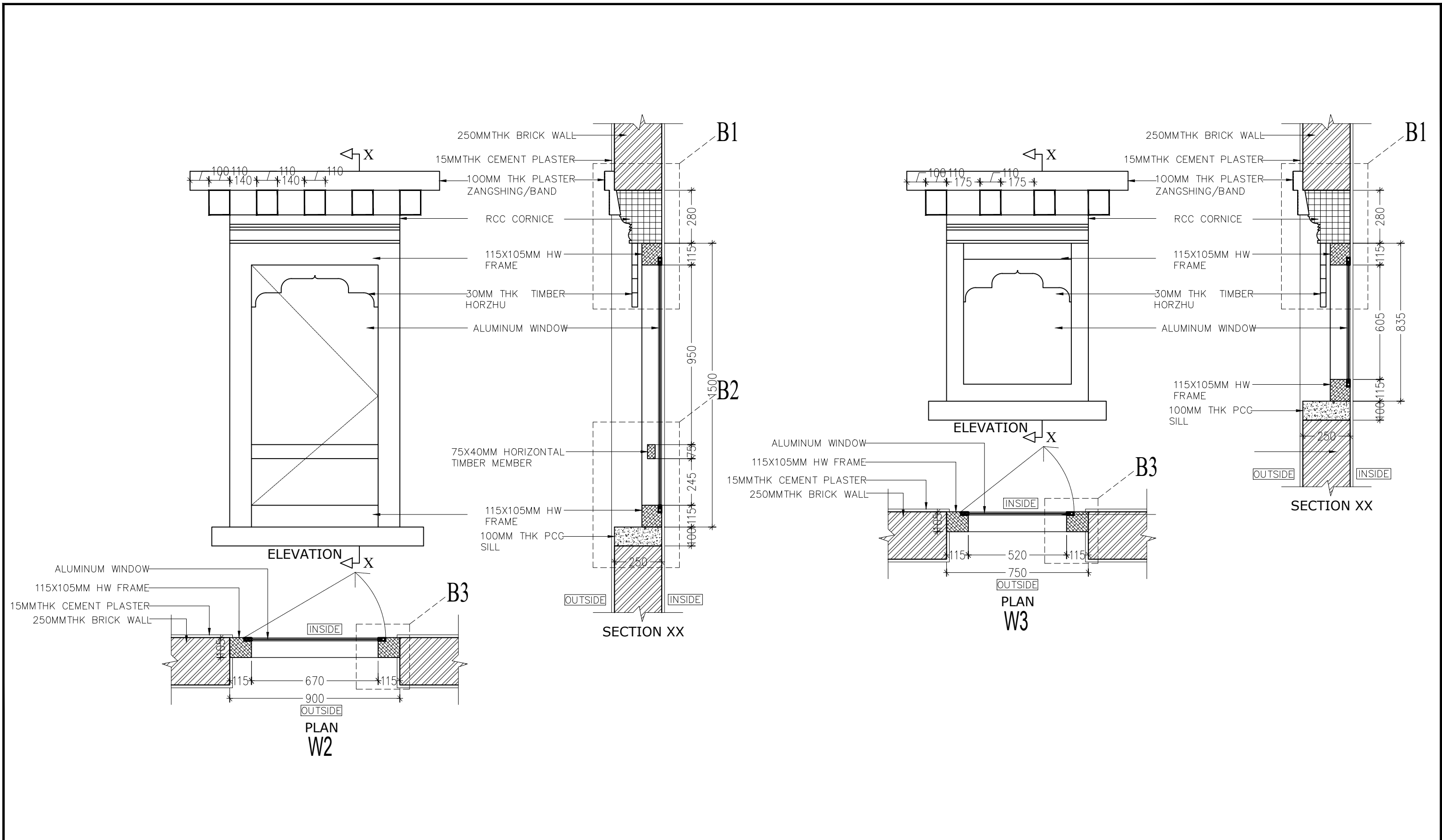
CERTIFICATE  
NO- TYE-195-1


PLOT NO-  
LJAM-20

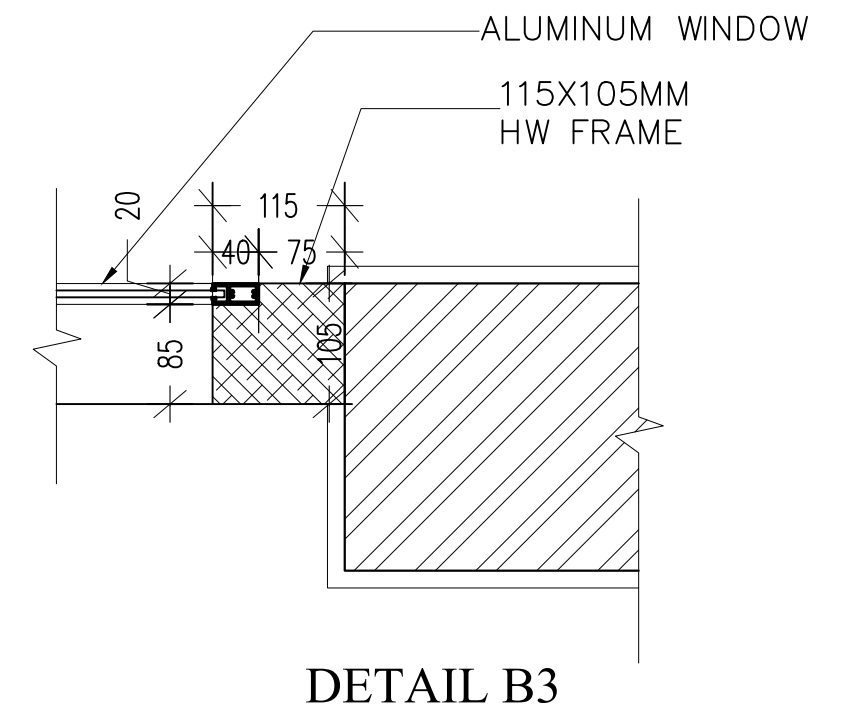
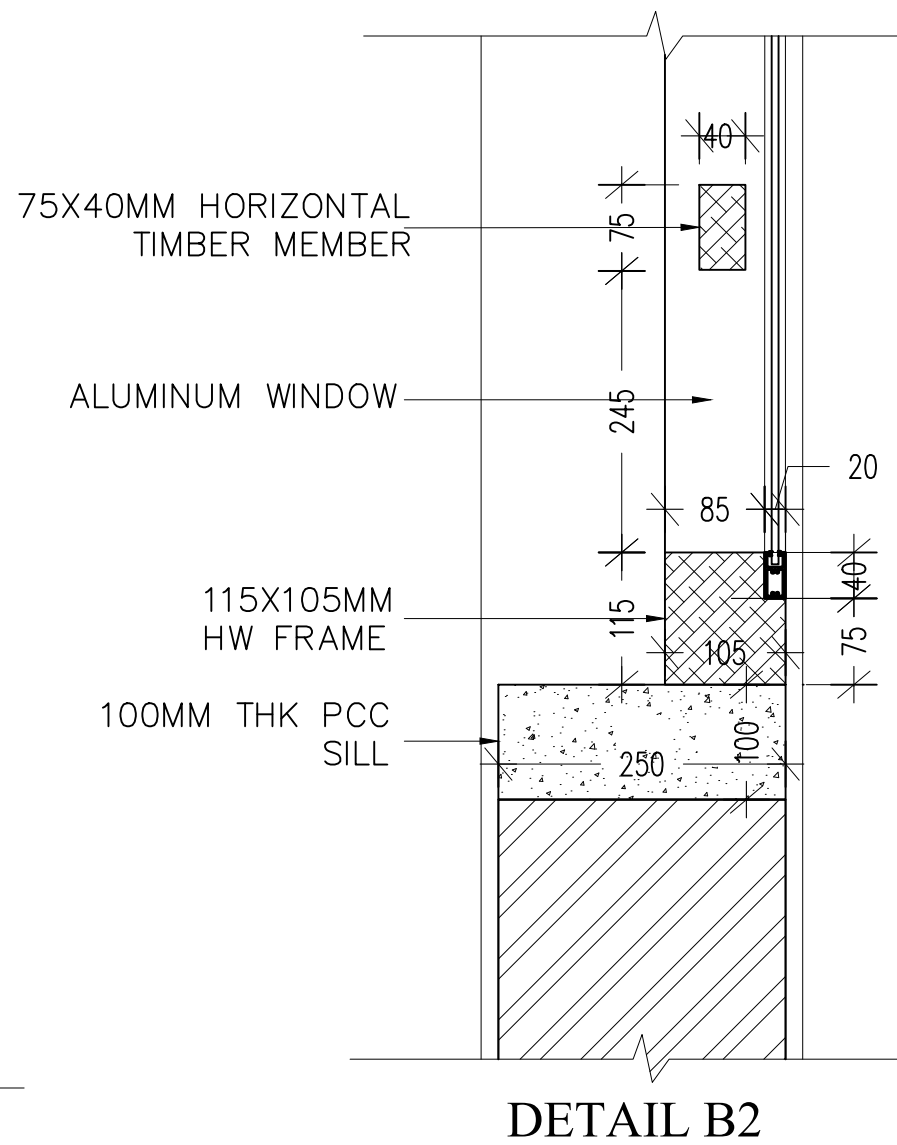
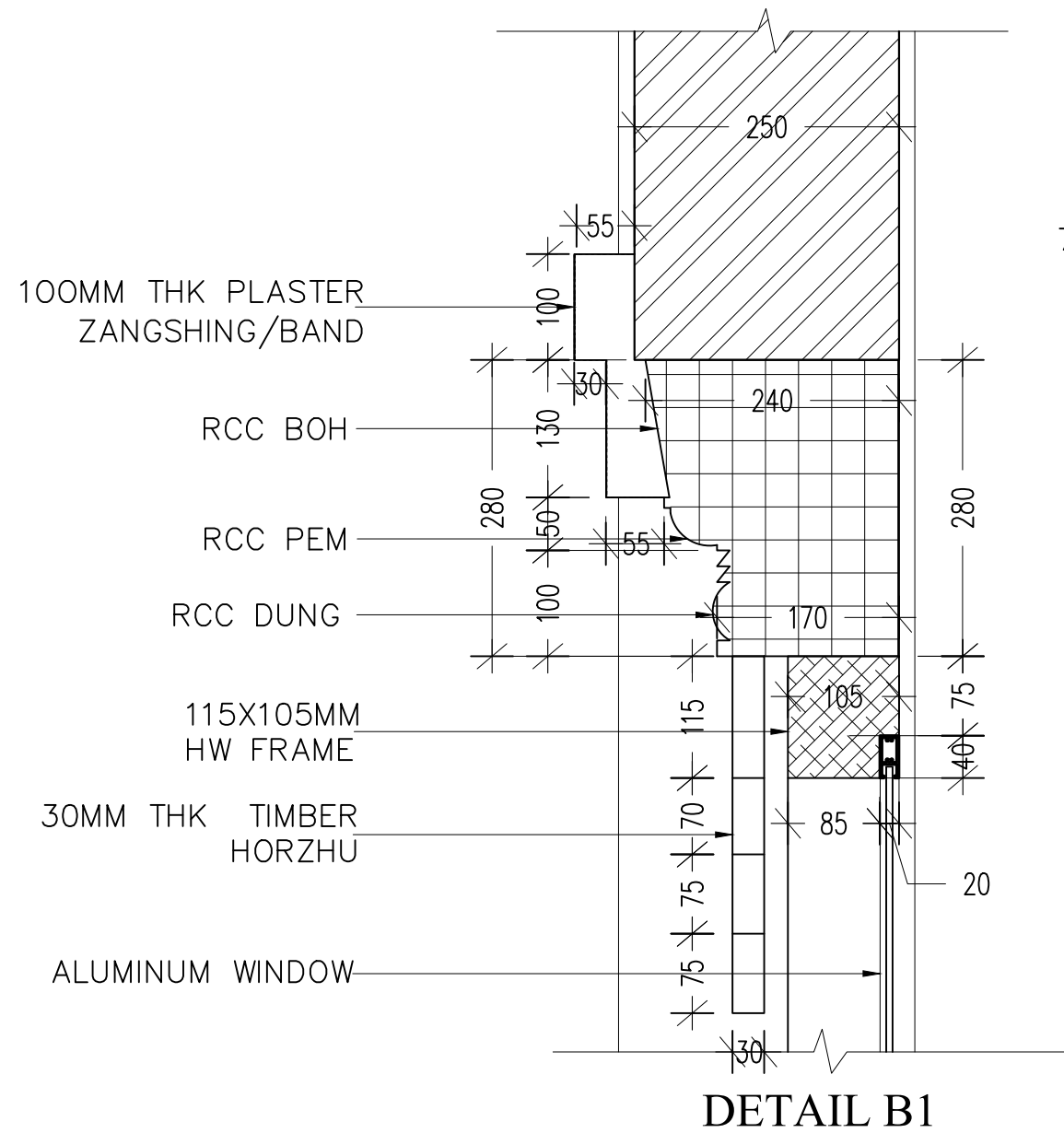
OWNER:  
STCBL

DESIGN & DRAWN BY

www.greendesign.com.bt  
gdshutan@gmail.com  
+975 1763132277845668  
FLAT NO 8/11 CONVENIENT LAM  
STORE NEXT TO THIMPHU  
THROMDE BUILDING  
THIMPHU: BHUTAN



PROJECT TITLE : Fuel Retail Outlet	 SCALE : NTS	LOCATION : JAMKHAR, TRASHIYANGTSE	PLOT NO- LJAM-20	DATE: NOVEMBER, 2021	SHEET NO AR- 12	<b>NOTE:</b> ALL DIMENSIONS ARE IN MILLIMETERS UNLESS SPECIFIED OTHERWISE ALL DIMENSIONS MEASURE UNFINISHED SURFACES UNLESS SPECIFIED OTHERWISE ALL DIMENSIONS ARE TO BE READ AND NOT SCALE OFF ANY DISCREPANCY IN DRAWING IS TO BE BROUGHT TO THE IMMEDIATE NOTICE OF THE ARCHITECT AND THE ENGINEER	<a href="http://www.greendesign.com.bt">www.greendesign.com.bt</a> <a href="mailto:gdshutang@gmail.com">gdshutang@gmail.com</a> +975 17633227784568 FLAT NO 8/GONGDZIN LAM ABOVE 8/11 CONVENIENT STORE NEXT TO THIMPHU THROMDE BUILDING THIMPHU: BHUTAN
DRAWING TITLE : WINDOW DETAILS		CERTIFICATE NO- TYE-195-1		OWNER: STCBL	DESIGN & DRAWN BY		



PROJECT TITLE : Fuel Retail Outlet



LOCATION :  
JAMKHAR,  
TRASHIYANGTSE

DATE:  
NOVEMBER, 2021

SHEET NO AR- 13

NOTE:

ALL DIMENSIONS ARE IN MILLIMETERS UNLESS SPECIFIED OTHERWISE  
ALL DIMENSIONS MEASURE UNFINISHED SURFACES UNLESS SPECIFIED OTHERWISE  
ALL DIMENSIONS ARE TO BE READ AND NOT SCALE OFF  
ANY DISCREPANCY IN DRAWING IS TO BE BROUGHT TO THE IMMEDIATE NOTICE OF THE ARCHITECT AND THE ENGINEER

DRAWING TITLE : **WINDOW DETAILS**

SCALE : NTS

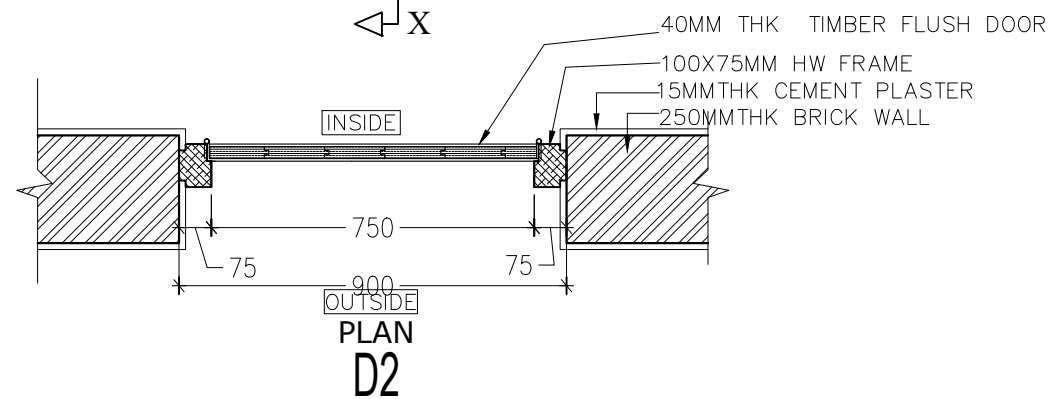
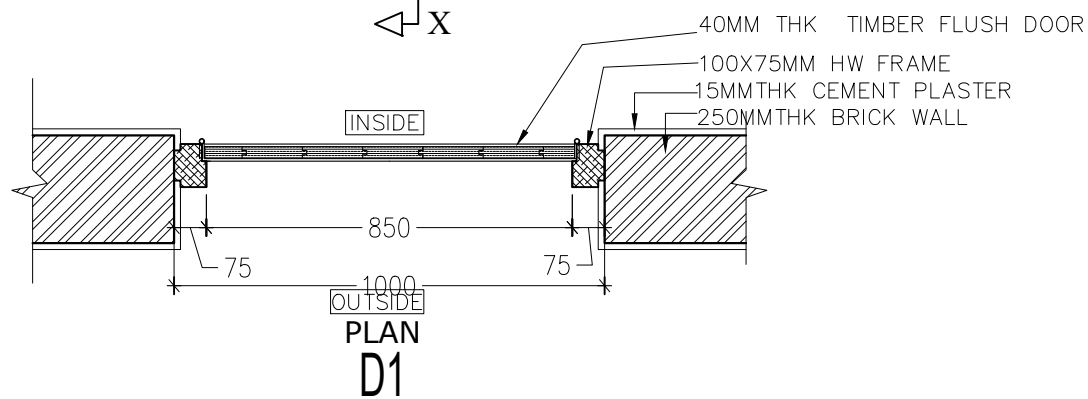
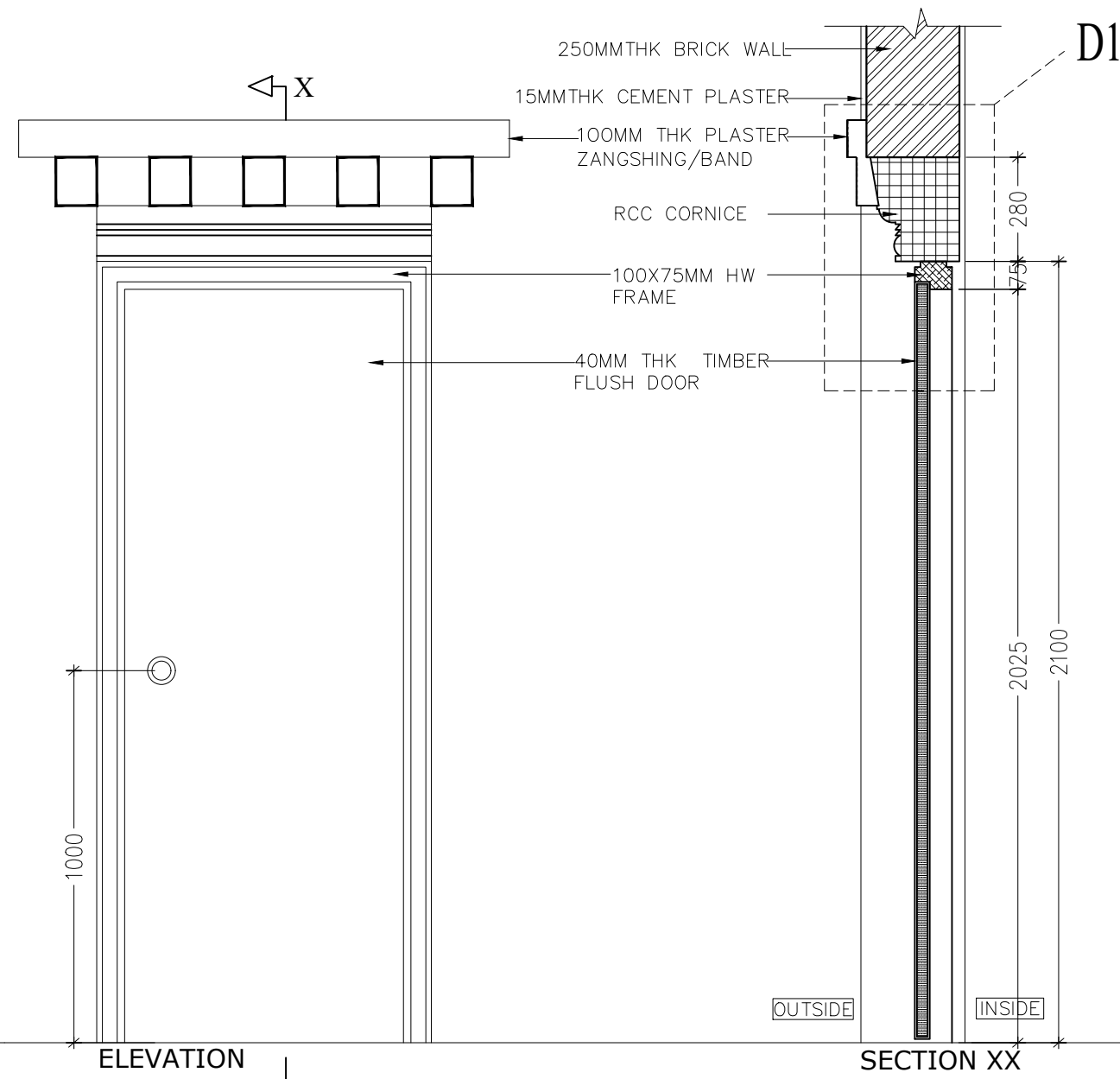
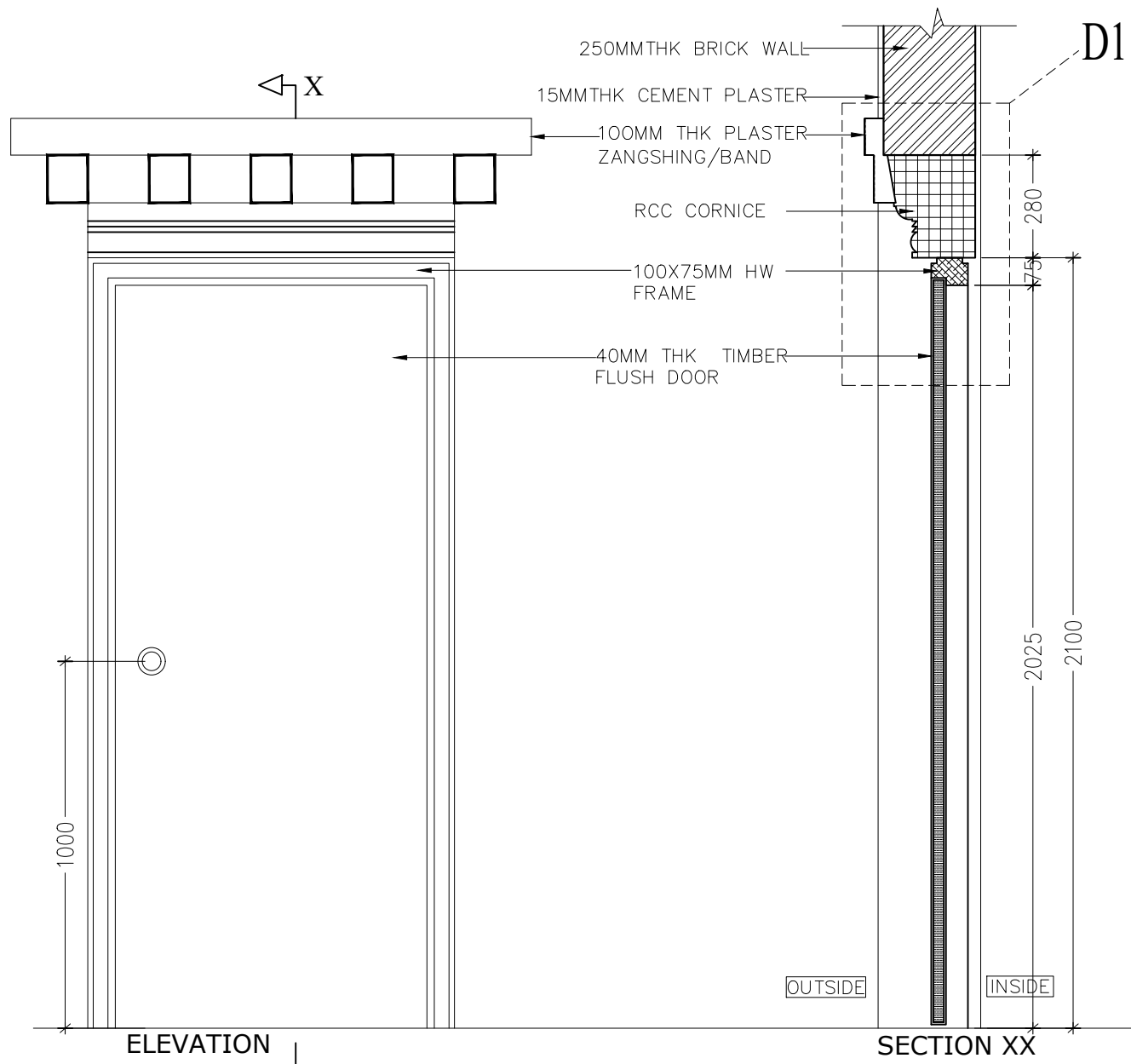
CERTIFICATE  
NO- TYE-195-1

PLOT NO-  
LJAM-20

OWNER:  
STCBL

DESIGN & DRAWN BY

www.greendesign.com.bt  
gdshutang@gmail.com  
+975 1763132277845668  
FLAT NO 8/11 CONVENIENT  
STORE NEXT TO THIMPHU  
THROMDE BUILDING  
THIMPHU: BHUTAN



PROJECT TITLE : Fuel Retail Outlet



LOCATION :  
JAMKHAR,  
TRASHIYANGTSE

DATE:  
NOVEMBER, 2021

SHEET NO AR- 14

NOTE:

ALL DIMENSIONS ARE IN MILLIMETERS UNLESS SPECIFIED OTHERWISE  
ALL DIMENSIONS MEASURE UNFINISHED SURFACES UNLESS SPECIFIED OTHERWISE  
ALL DIMENSIONS ARE TO BE READ AND NOT SCALE OFF  
ANY DISCREPANCY IN DRAWING IS TO BE BROUGHT TO THE IMMEDIATE NOTICE OF THE ARCHITECT AND THE ENGINEER

DRAWING TITLE : **DOOR DETAILS**

SCALE : NTS

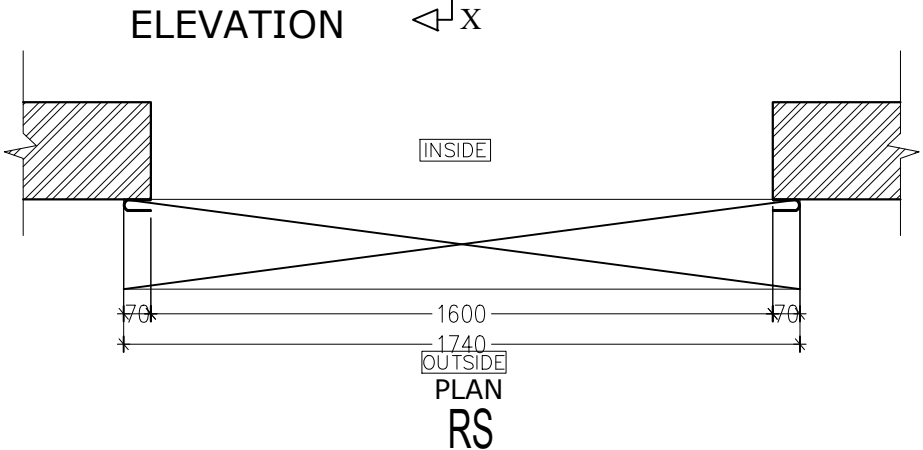
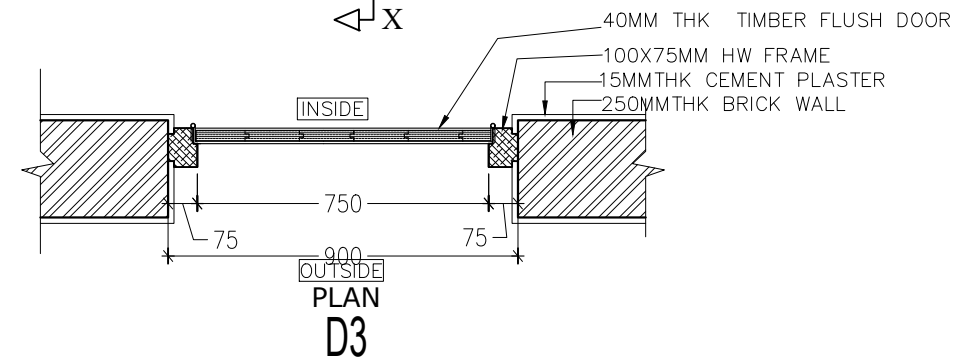
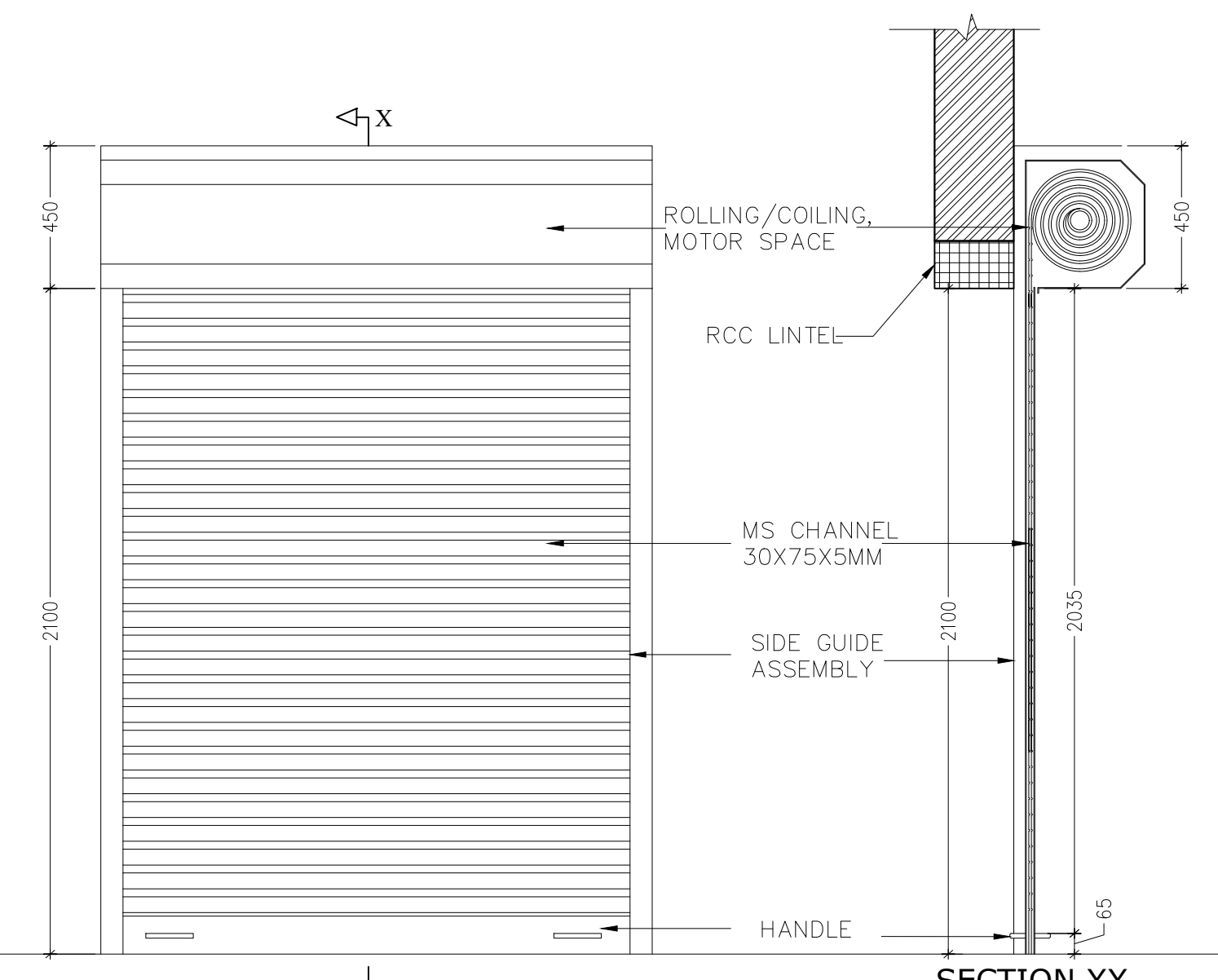
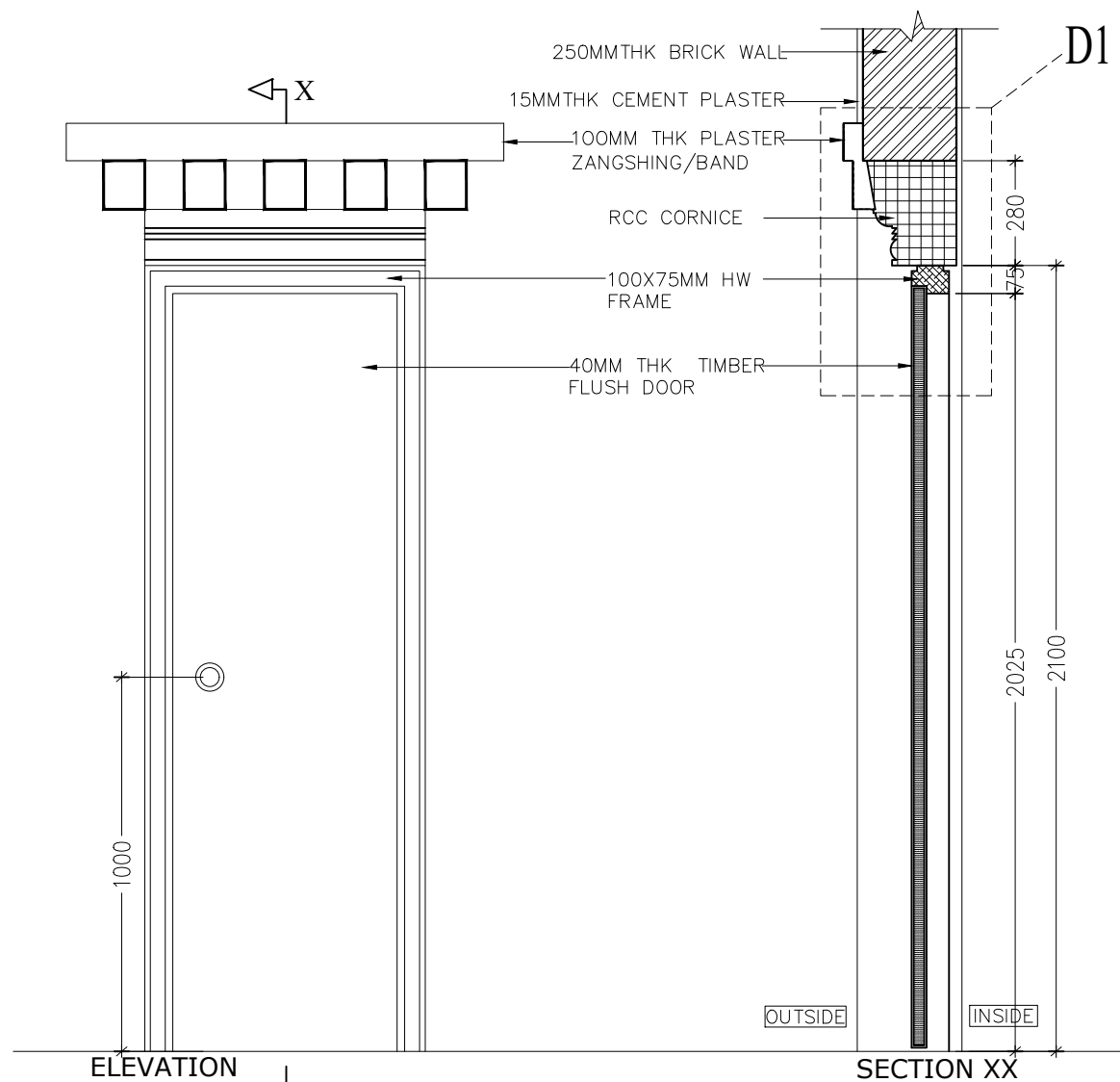
CERTIFICATE  
NO- TYE-195-1


PLOT NO-  
LJAM-20

OWNER:  
STCBL

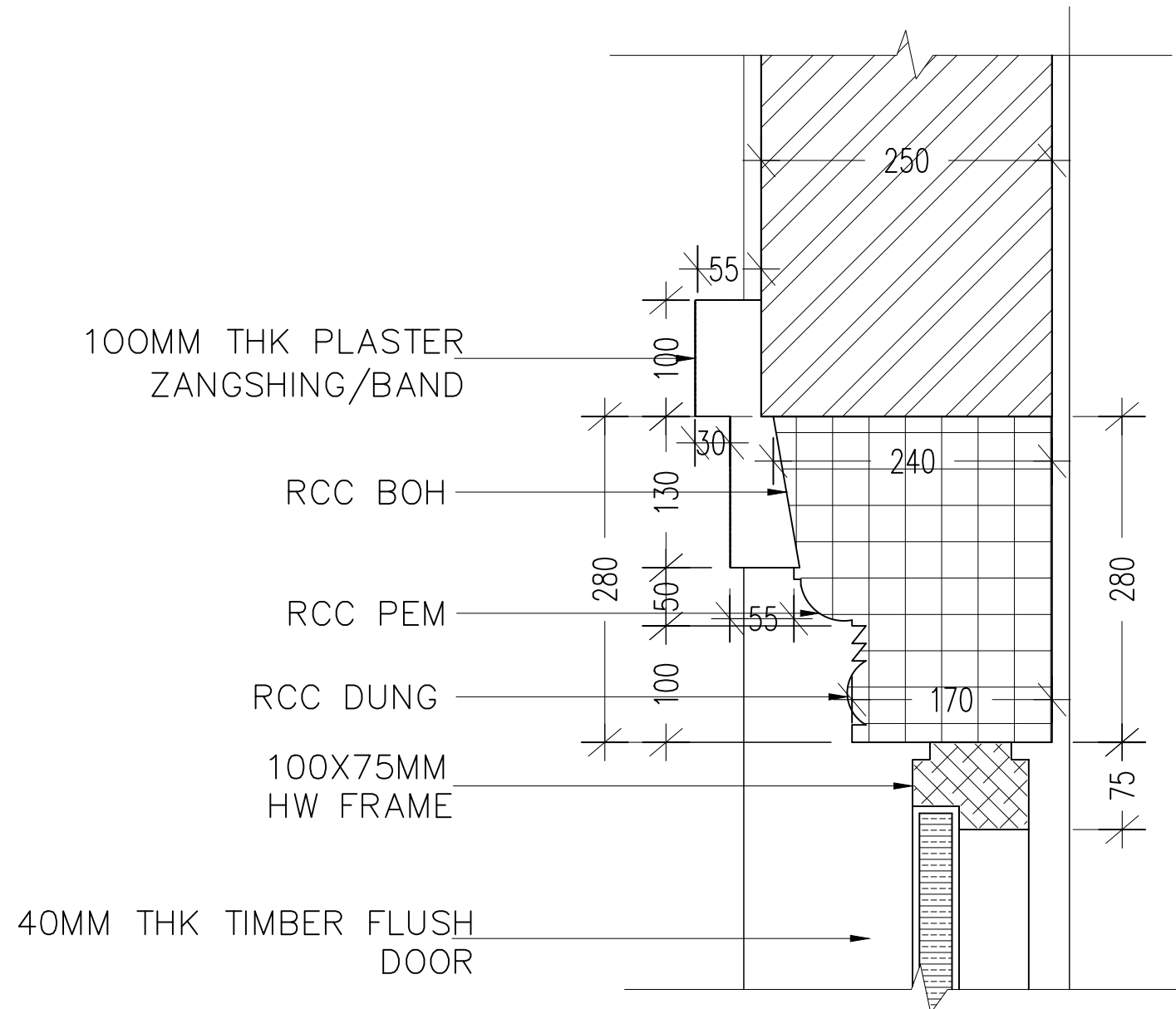
DESIGN & DRAWN BY

www.greendesign.com.bt  
gdshutan@gmail.com  
+975 1763132277845668  
FLAT NO 8/11 CONVENT LAM  
STORE NEXT TO THIMPHU  
THROMDE BUILDING  
THIMPHU: BHUTAN




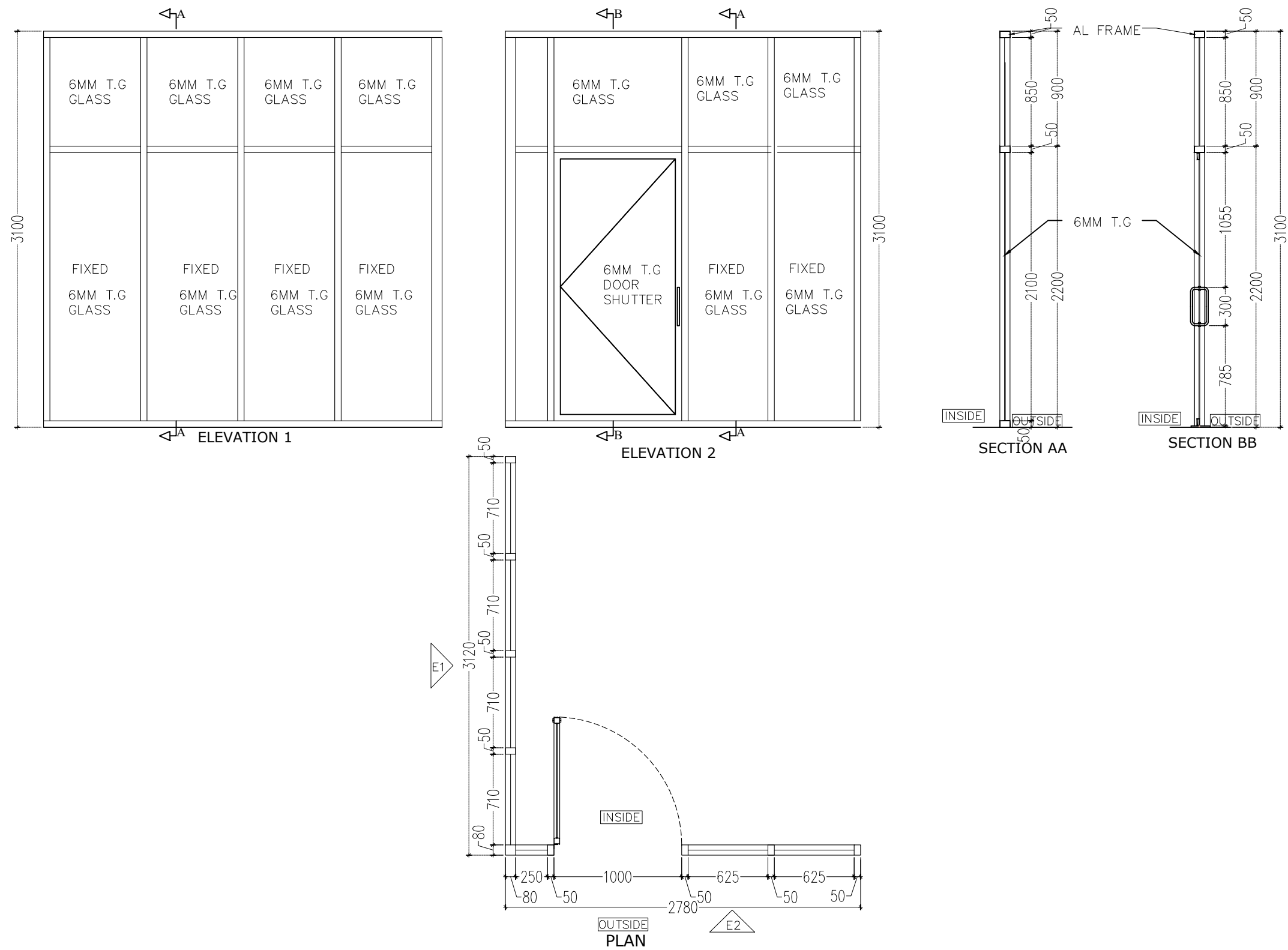
PROJECT TITLE : Fuel Retail Outlet	 SCALE : NTS	LOCATION : JAMKHAR, TRASHIYANGTSE		DATE: NOVEMBER, 2021	SHEET NO AR- 15	<b>NOTE:</b> ALL DIMENSIONS ARE IN MILLIMETERS UNLESS SPECIFIED OTHERWISE ALL DIMENSIONS MEASURE UNFINISHED SURFACES UNLESS SPECIFIED OTHERWISE ALL DIMENSIONS ARE TO BE READ AND NOT SCALE OFF ANY DISCREPANCY IN DRAWING IS TO BE BROUGHT TO THE IMMEDIATE NOTICE OF THE ARCHITECT AND THE ENGINEER	www.greendesign.com.bt gds@btan@gmail.com +975 1763132277845668 FLAT NO 8/11 CONVENIENT LAM ABOVE 8/11 CONVENIENT STORE NEXT TO THIMPHU THROMDE BUILDING THIMPHU: BHUTAN
		DRAWING TITLE : DOOR DETAILS	CERTIFICATE NO- TYE-195-1	PLOT NO- LJAM-20	OWNER: STCBL		






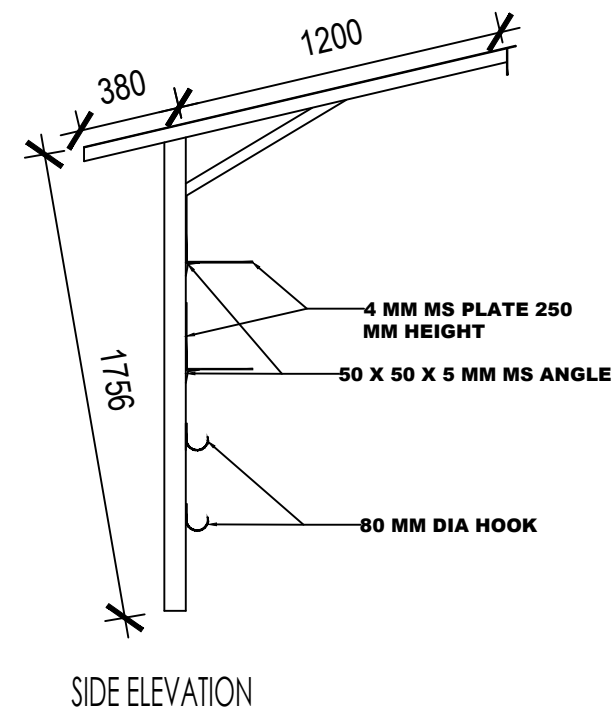
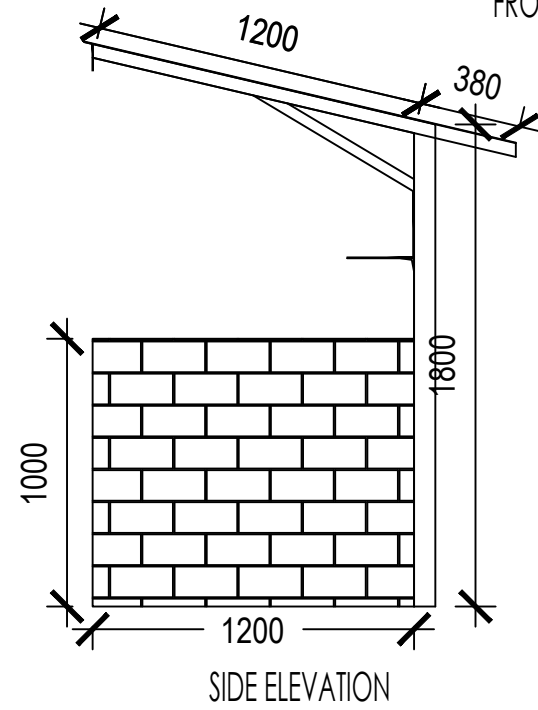
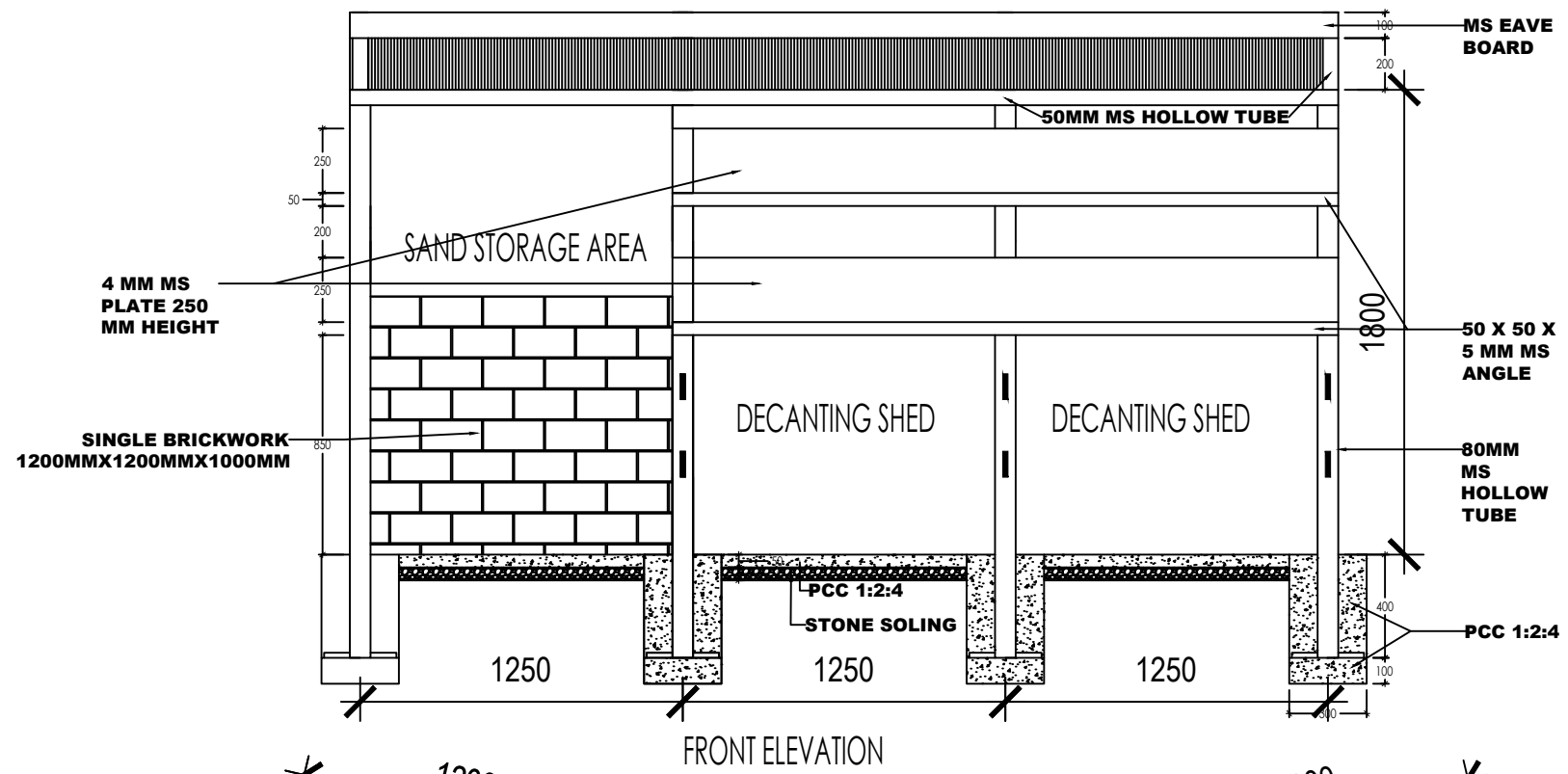
**DETAIL D1**

PROJECT TITLE : Fuel Retail Outlet		LOCATION : JAMKHAR, TRASHIYANGTSE		DATE: NOVEMBER, 2021	SHEET NO AR- 16	NOTE: ALL DIMENSIONS ARE IN MILLIMETERS UNLESS SPECIFIED OTHERWISE ALL DIMENSIONS MEASURE UNFINISHED SURFACES UNLESS SPECIFIED OTHERWISE ALL DIMENSIONS ARE TO BE READ AND NOT SCALE OFF ANY DISCREPANCY IN DRAWING IS TO BE BROUGHT TO THE IMMEDIATE NOTICE OF THE ARCHITECT AND THE ENGINEER	<small>www.greendesign.com.bt gdshutang@gmail.com +975 1763132277845668 FLAT NO 8/11 CONVENIENT STORE NEXT TO THIMPHU THROMDE BUILDING THIMPHU: BHUTAN</small>
DRAWING TITLE : <b>DOOR DETAILS</b>	SCALE : NTS	CERTIFICATE NO- TYE-195-1	PLOT NO- LJAM-20	OWNER: STCBL	DESIGN & DRAWN BY		



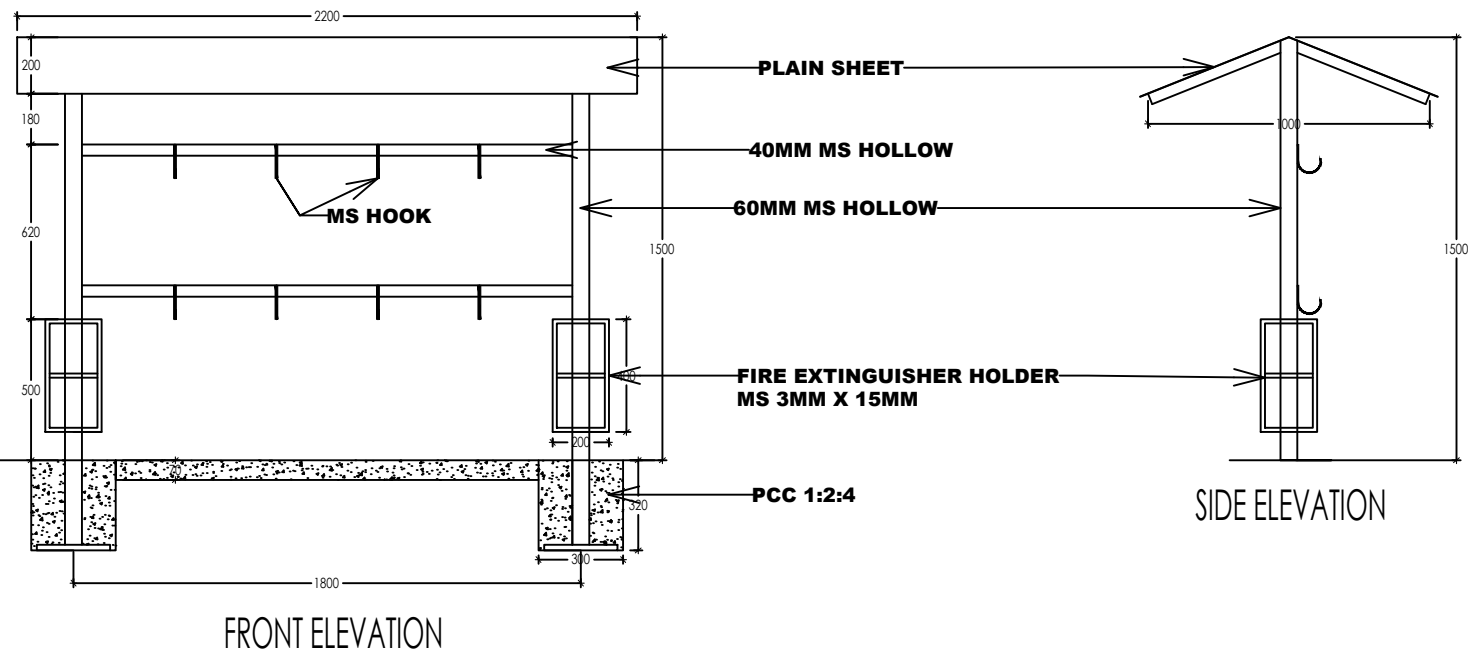
**ALUMINUM PARTITION OFFICE DETAIL**

PROJECT TITLE : Fuel Retail Outlet		LOCATION : JAMKHAR, TRASHIYANGTSE	DATE: NOVEMBER, 2021	SHEET NO AR- 17	<b>NOTE:</b> ALL DIMENSIONS ARE IN MILLIMETERS UNLESS SPECIFIED OTHERWISE ALL DIMENSIONS MEASURE UNFINISHED SURFACES UNLESS SPECIFIED OTHERWISE ALL DIMENSIONS ARE TO BE READ AND NOT SCALE OFF ANY DISCREPANCY IN DRAWING IS TO BE BROUGHT TO THE IMMEDIATE NOTICE OF THE ARCHITECT AND THE ENGINEER	<a href="http://www.greendesign.com.bt">www.greendesign.com.bt</a> <a href="mailto:gdshutan@gmail.com">gdshutan@gmail.com</a> +975 1763132277845668 FLAT NO 8/11 CONVENIENT STORE NEXT TO THIMPHU THROMDE BUILDING THIMPHU: BHUTAN
DRAWING TITLE : AL PARTITION OFFICE DETAILS	SCALE : NTS	CERTIFICATE NO- TYE-195-1	PLOT NO- LJAM-20	OWNER: STCBL		

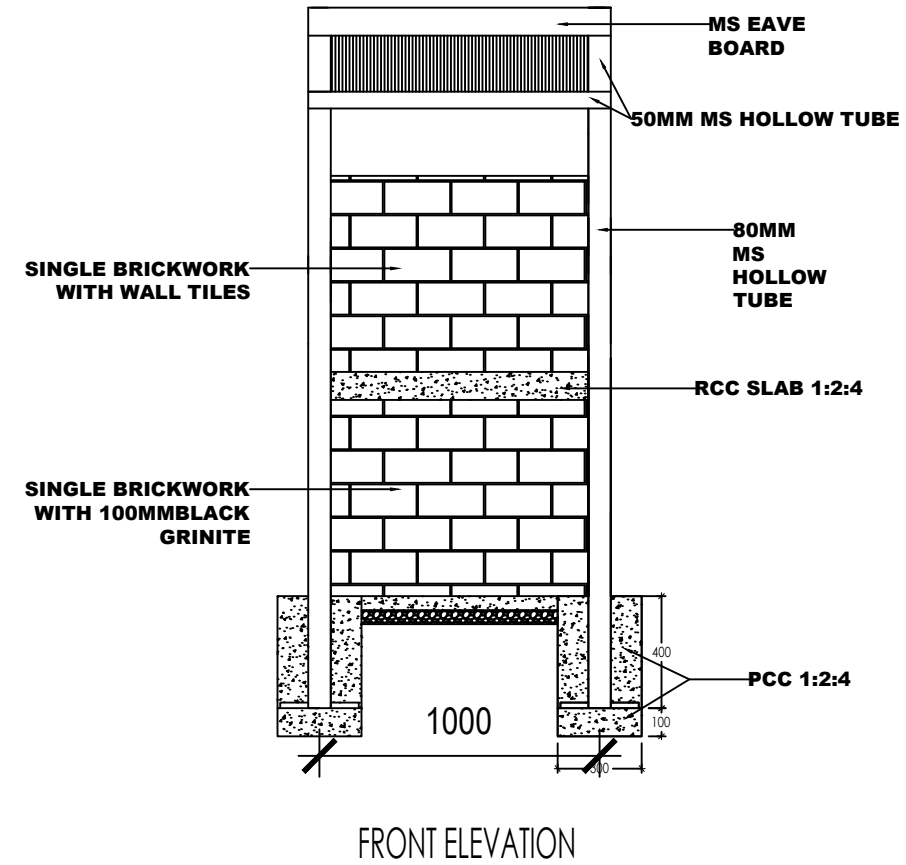


# DECANTING SHED


PROJECT TITLE : Fuel Retail Outlet		LOCATION : JAMKHAR, TRASHIYANGTSE	DATE: NOVEMBER, 2021	SHEET NO AR- 18	NOTE: ALL DIMENSIONS ARE IN MILLIMETERS UNLESS SPECIFIED OTHERWISE ALL DIMENSIONS MEASURE UNFINISHED SURFACES UNLESS SPECIFIED OTHERWISE ALL DIMENSIONS ARE TO BE READ AND NOT SCALE OFF ANY DISCREPANCY IN DRAWING IS TO BE BROUGHT TO THE IMMEDIATE NOTICE OF THE ARCHITECT AND THE ENGINEER	www.greendesign.com.bt gdshutan@gmail.com +975 1763132277845668 FLAT NO 8/11 CONVENIENT STORE NEXT TO THIMPHU THROUGH BUILDING THIMPHU: BHUTAN
DRAWING TITLE : DECANTING SHED DETAILS	SCALE : NTS	CERTIFICATE NO- TYE-195-1	PLOT NO- LJAM-20	OWNER: STCBL		

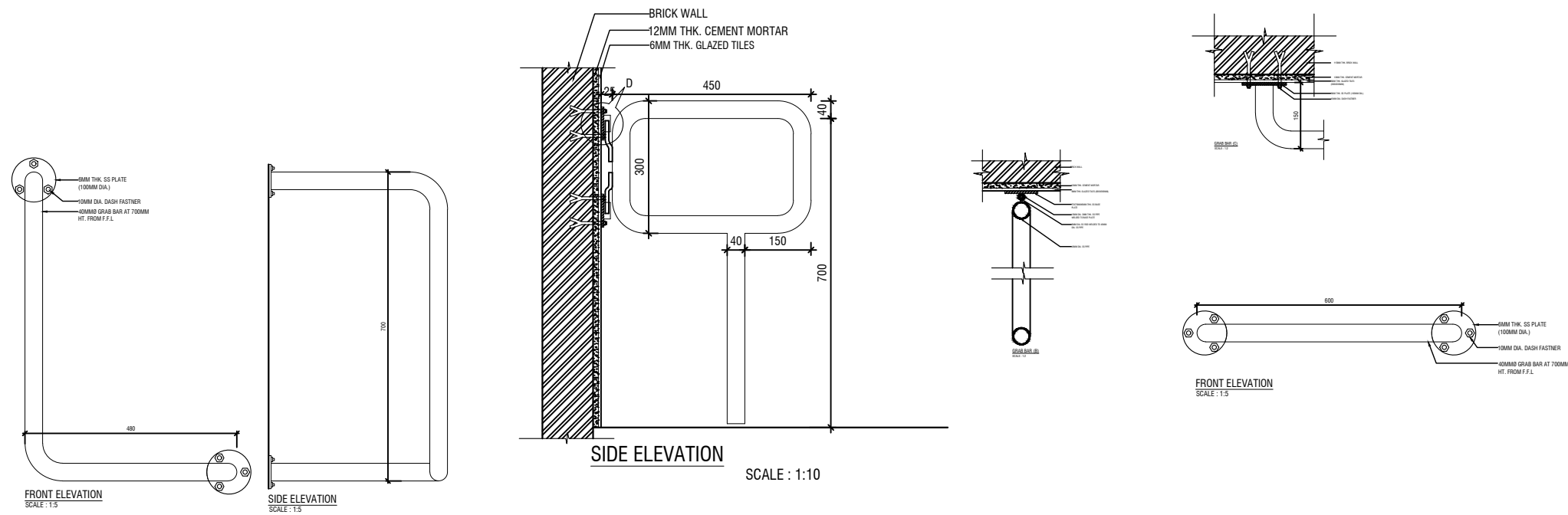
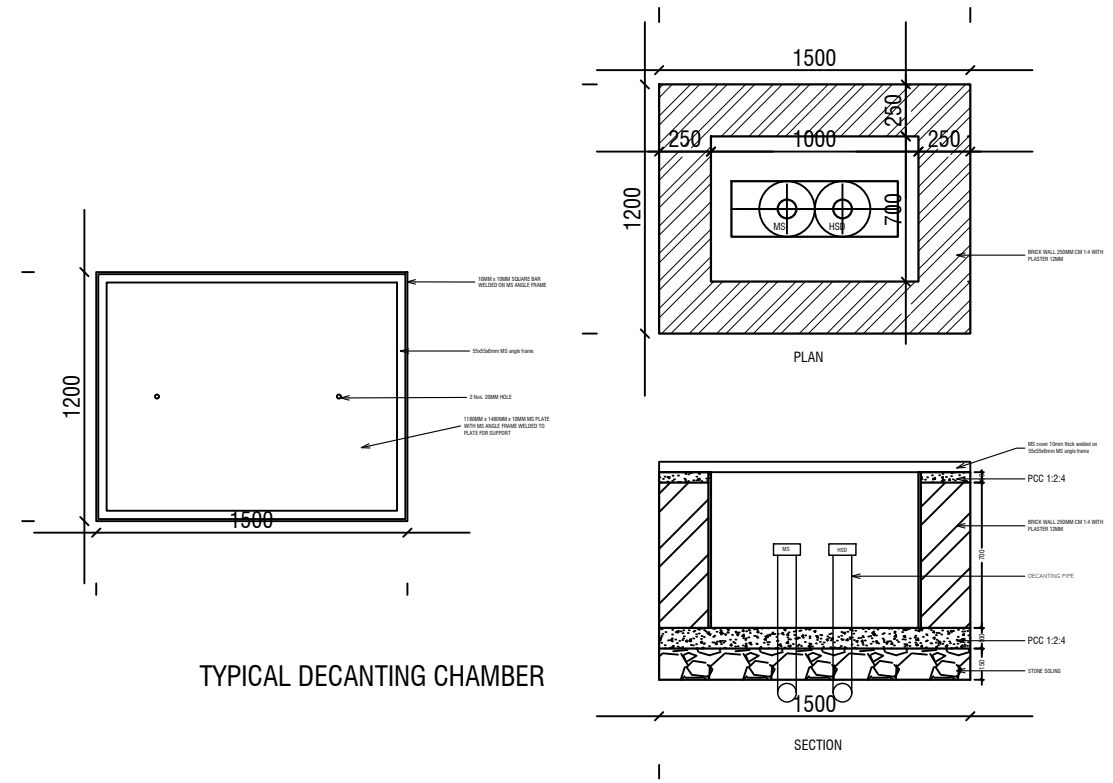
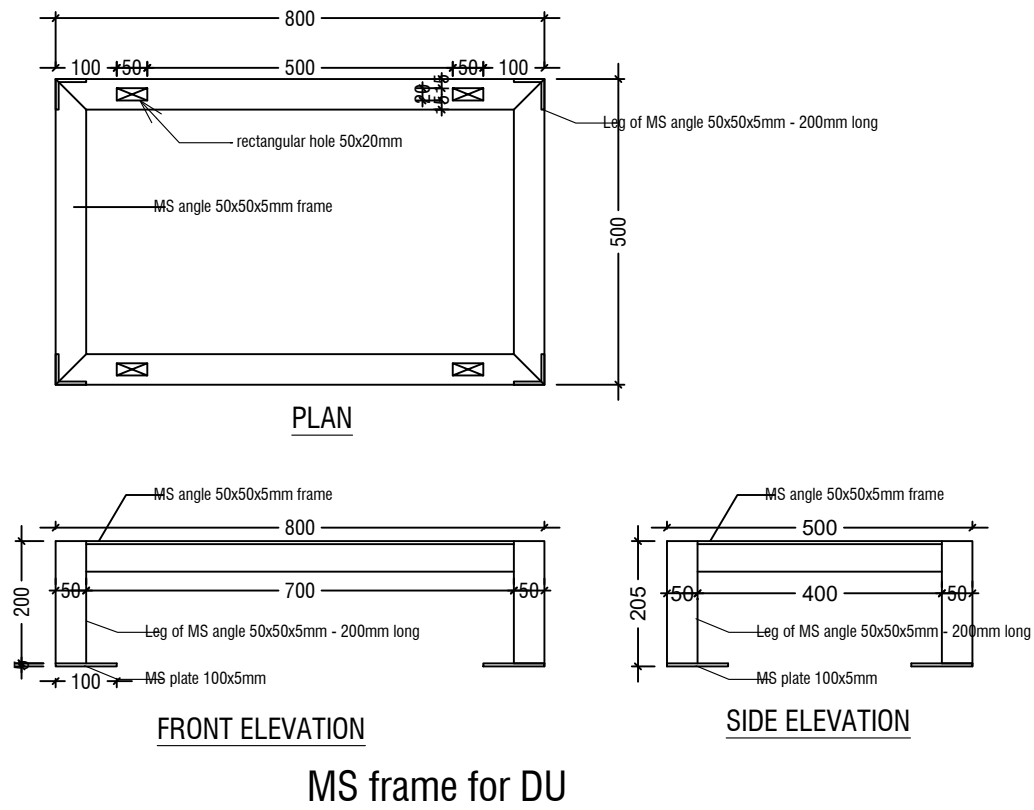


# SAND BUCKET SHED



# WATER FILTER SHED

PROJECT TITLE : Fuel Retail Outlet	 SCALE : NTS	LOCATION : JAMKHAR, TRASHIYANGTSE		DATE: NOVEMBER, 2021	SHEET NO AR- 19	<b>NOTE:</b> ALL DIMENSIONS ARE IN MILLIMETERS UNLESS SPECIFIED OTHERWISE ALL DIMENSIONS MEASURE UNFINISHED SURFACES UNLESS SPECIFIED OTHERWISE ALL DIMENSIONS ARE TO BE READ AND NOT SCALE OFF ANY DISCREPANCY IN DRAWING IS TO BE BROUGHT TO THE IMMEDIATE NOTICE OF THE ARCHITECT AND THE ENGINEER	<a href="http://www.greendesign.com.bt">www.greendesign.com.bt</a> <a href="mailto:gdshutan@gmail.com">gdshutan@gmail.com</a> +975 1763132277845668 FLAT NO 8/11 CONVENIENT STORE NEXT TO THIMPHU THROMDE BUILDING THIMPHU: BHUTAN
DRAWING TITLE : SAND BUCKET & FILTER SHED		CERTIFICATE NO- TYE-195-1	PLOT NO- LJAM-20	OWNER: STCBL	DESIGN & DRAWN BY		



PROJECT TITLE : Fuel Retail Outlet	 SCALE : NTS	LOCATION : JAMKHAR, TRASHIYANGTSE	DATE: NOVEMBER, 2021	SHEET NO AR- 20	<b>NOTE:</b> ALL DIMENSIONS ARE IN MILLIMETERS UNLESS SPECIFIED OTHERWISE ALL DIMENSIONS MEASURE UNFINISHED SURFACES UNLESS SPECIFIED OTHERWISE ALL DIMENSIONS ARE TO BE READ AND NOT SCALE OFF ANY DISCREPANCY IN DRAWING IS TO BE BROUGHT TO THE IMMEDIATE NOTICE OF THE ARCHITECT AND THE ENGINEER	<a href="http://www.greendesign.com.bt">www.greendesign.com.bt</a> gds@btanet.com +975 17631322/77845668 FLAT NO 8/11 CONVENIENT STORE NEXT TO THIMPHU THROMDE BUILDING THIMPHU: BHUTAN
DRAWING TITLE : <b>GRAB BAR, DECANTING CHAMBER &amp; MS FRAME FOR DU</b>		CERTIFICATE NO- TYE-195-1	PLOT NO- LJAM-20	OWNER: STCBL		

**Project:**

Fuel Retail Outlet

**Location:**

Dzongkhag: Trashiyangtse  
(Jamkhar)

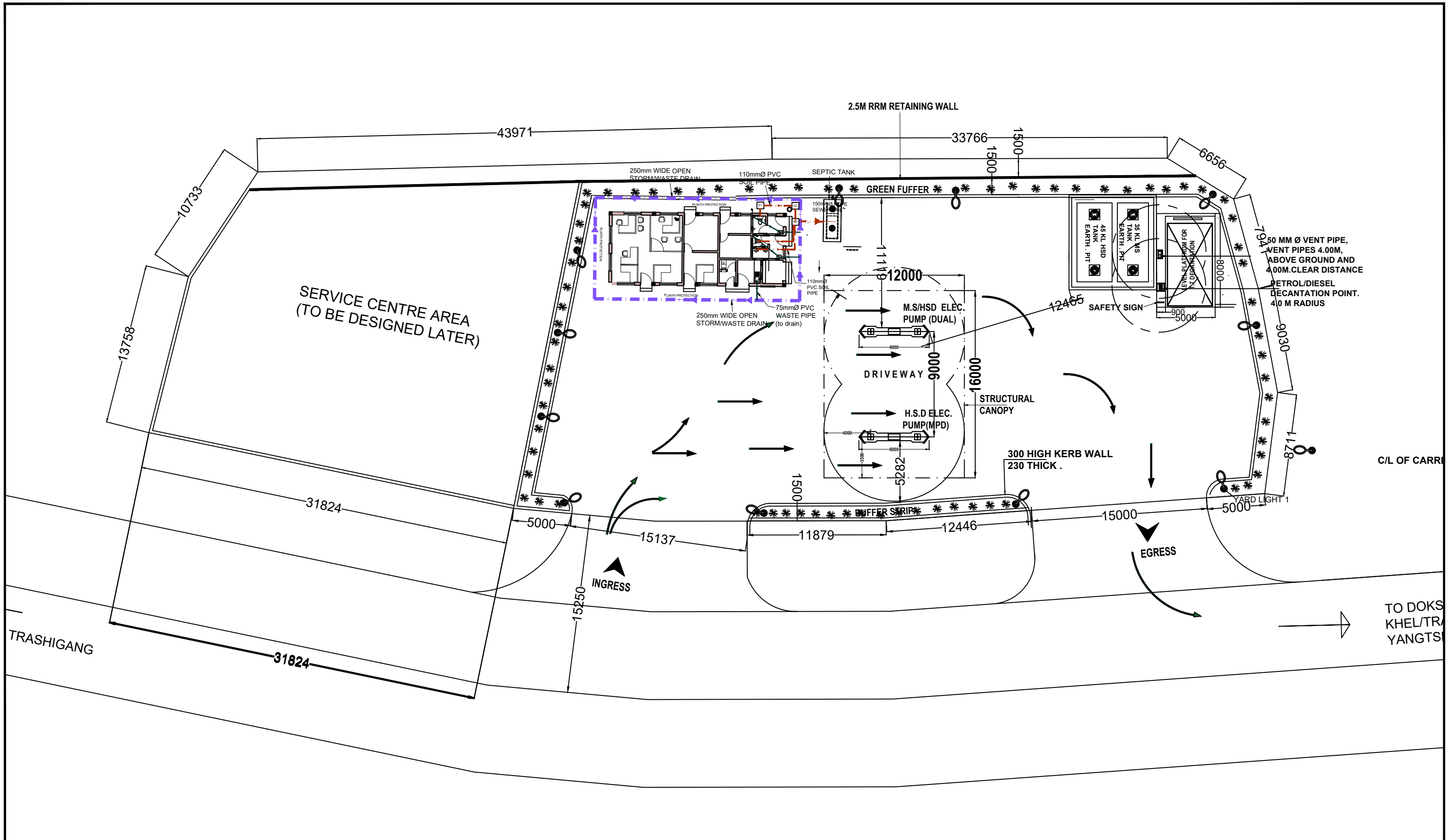
CERTIFICATE NO: TYE-195-1


PLOT ID: LJAM-20

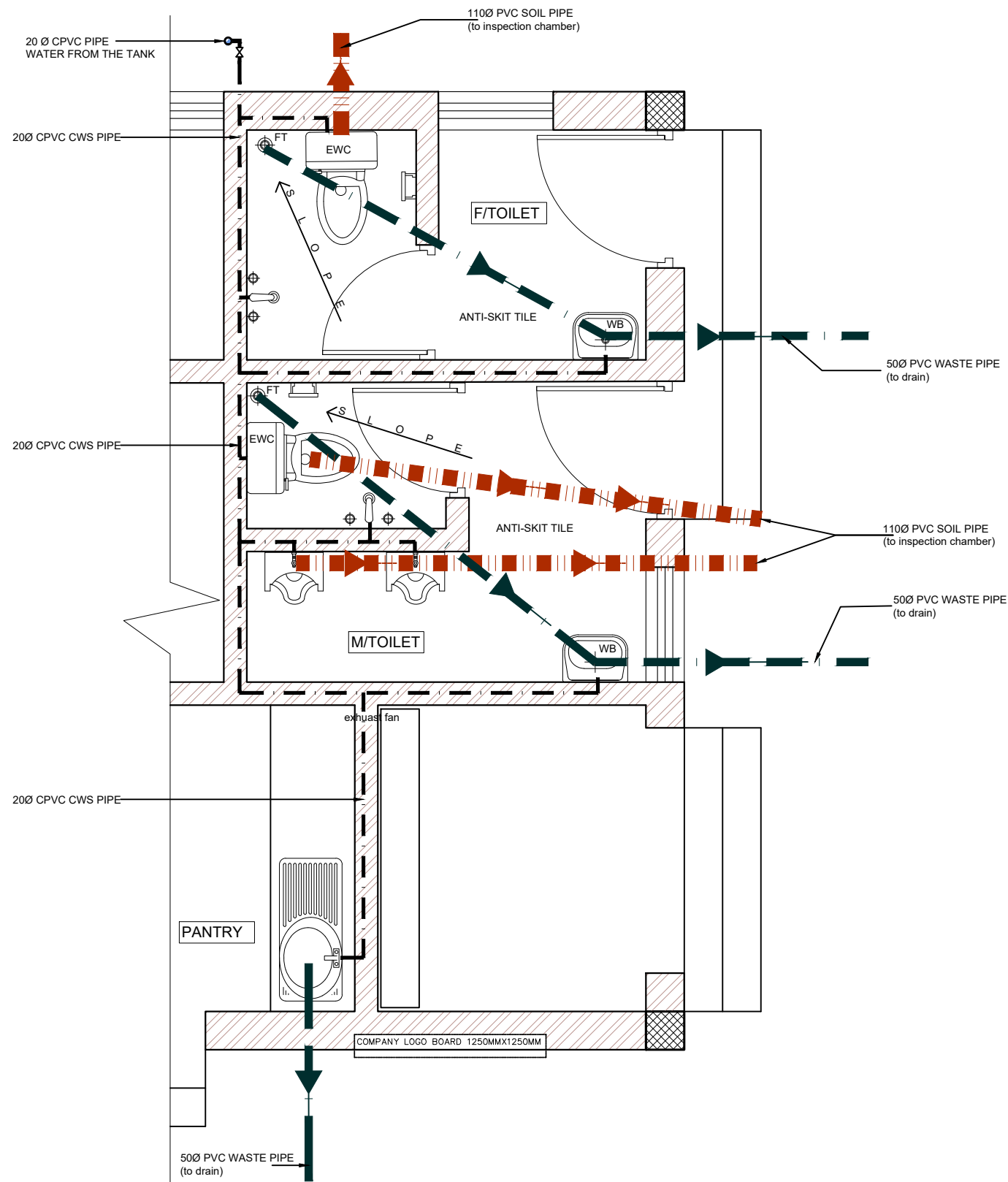
**Owner**

State Trading Corporation of Bhutan Ltd

**SANITARY DRAWINGS**



PROJECT TITLE : Fuel Retail Outlet	 SCALE : NTS	LOCATION : JAMKHAR, TRASHIYANGTSE	DATE: NOVEMBER, 2021	SHEET NO S- 01	NOTE: ALL DIMENSIONS ARE IN MILLIMETERS UNLESS SPECIFIED OTHERWISE ALL DIMENSIONS MEASURE UNFINISHED SURFACES UNLESS SPECIFIED OTHERWISE ALL DIMENSIONS ARE TO BE READ AND NOT SCALE OFF ANY DISCREPANCY IN DRAWING IS TO BE BROUGHT TO THE IMMEDIATE NOTICE OF THE ARCHITECT AND THE ENGINEER	<a href="http://www.greendesign.com.bt">www.greendesign.com.bt</a> <a href="mailto:gdshutan@gmail.com">gdshutan@gmail.com</a> +975 1763132277845668 FLAT NO 8/GONGDZIN LAM ABOVE 8/11 CONVENIENT STORE NEXT TO THIMPHU THROMDE BUILDING THIMPHU: BHUTAN
DRAWING TITLE : SITE PLAN		CERTIFICATE NO- TYE-195-1	PLOT NO- LJAM-20	OWNER: STCBL		



**LEGEND:**

- \* CWS = Cold water supply
- \* CPVC = Chlorinated Polyvinyl Chloride (pipe name)
- \* PVC = Polyvinyl Chloride pipe
- \* FT = Floor Trap
- \* IC = Inspection Chamber
- \* HDPE = High Density Polyethylene
- \* EWC = European water closet
- \* WB = Wash basin
- \* FT = Floor trap

PROJECT TITLE : Fuel Retail Outlet



LOCATION :  
JAMKHAR,  
TRASHIYANGTSE

DATE:  
NOVEMBER, 2021

SHEET NO S- 02

NOTE:

ALL DIMENSIONS ARE IN MILLIMETERS UNLESS SPECIFIED OTHERWISE  
ALL DIMENSIONS MEASURE UNFINISHED SURFACES UNLESS SPECIFIED OTHERWISE  
OTHERWISE  
ALL DIMENSIONS ARE TO BE READ AND NOT SCALE OFF  
ANY DISCREPANCY IN DRAWING IS TO BE BROUGHT TO THE IMMEDIATE  
NOTICE OF THE ARCHITECT AND THE ENGINEER

DRAWING TITLE : **TOILET & PANTRY DETAILS**

SCALE : NTS

CERTIFICATE  
NO- TYE-195-1

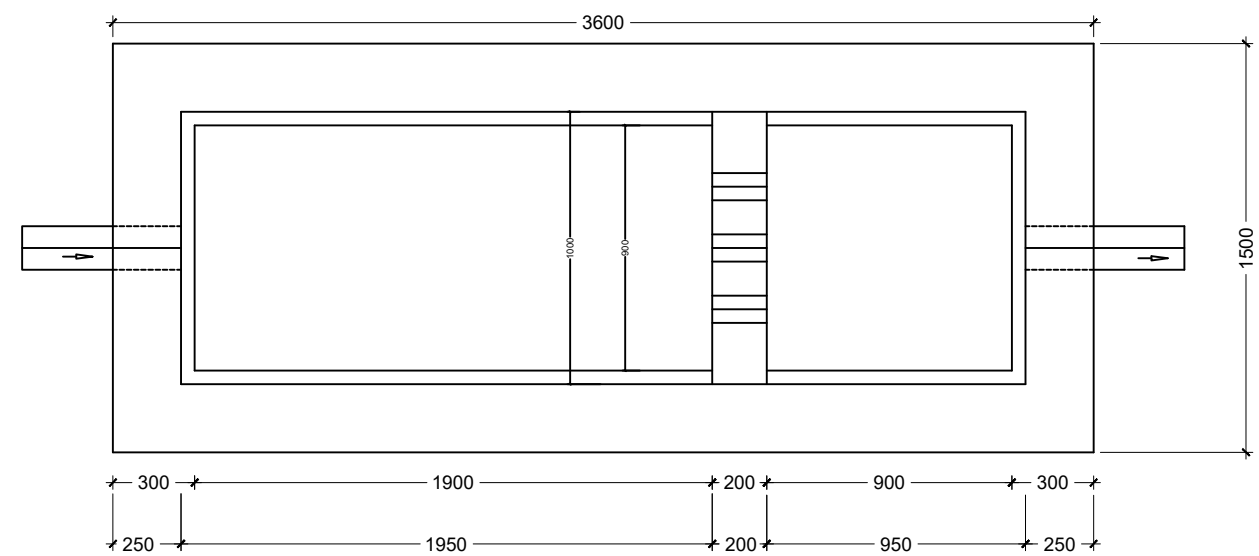
PLOT NO-  
LJAM-20

OWNER:  
STCBL

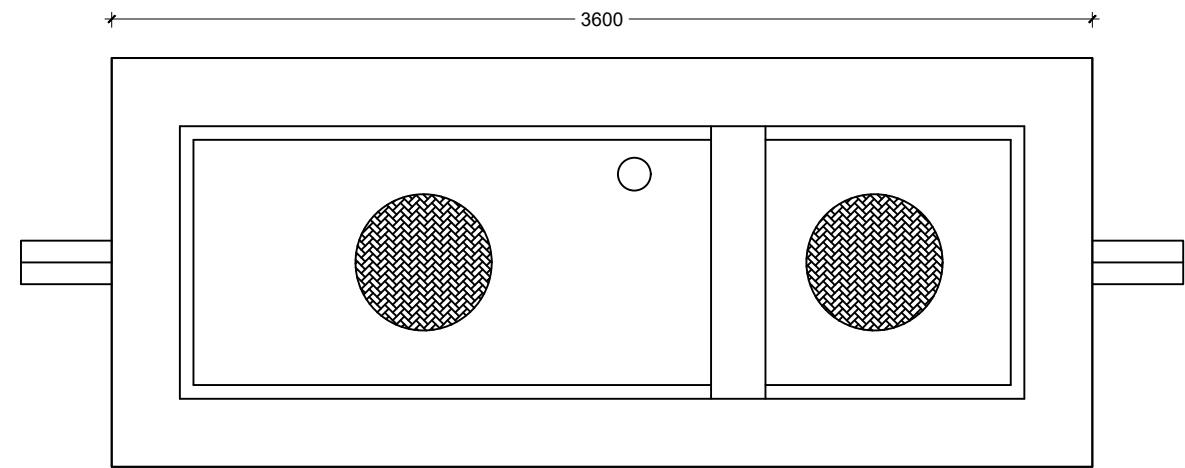
DESIGN & DRAWN BY

www.greendesign.com.bt  
gdshutan@gmail.com  
+975 1763132277845668  
FLAT NO 8/GONGDZIN LAM  
STORE NEXT TO THIMPHU  
THROMDE BUILDING  
THIMPHU: BHUTAN

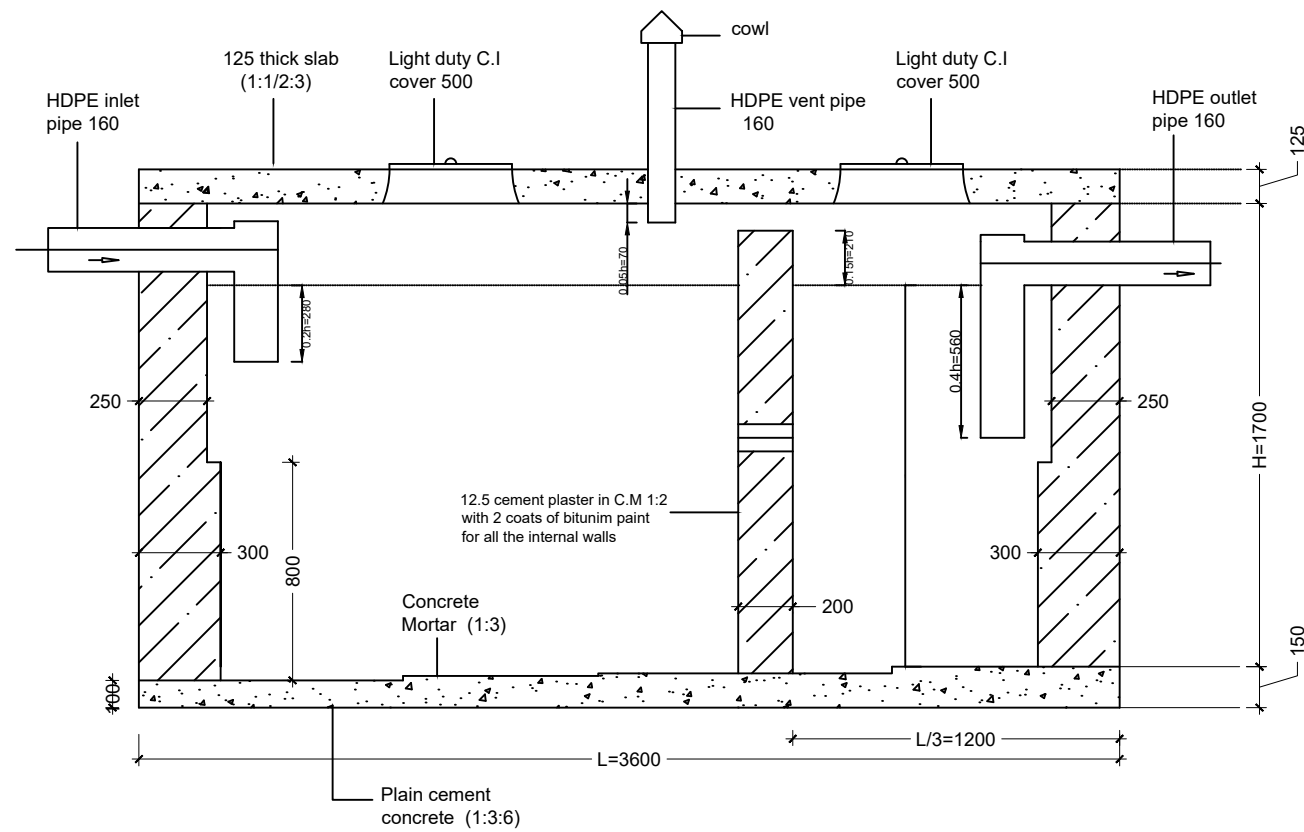




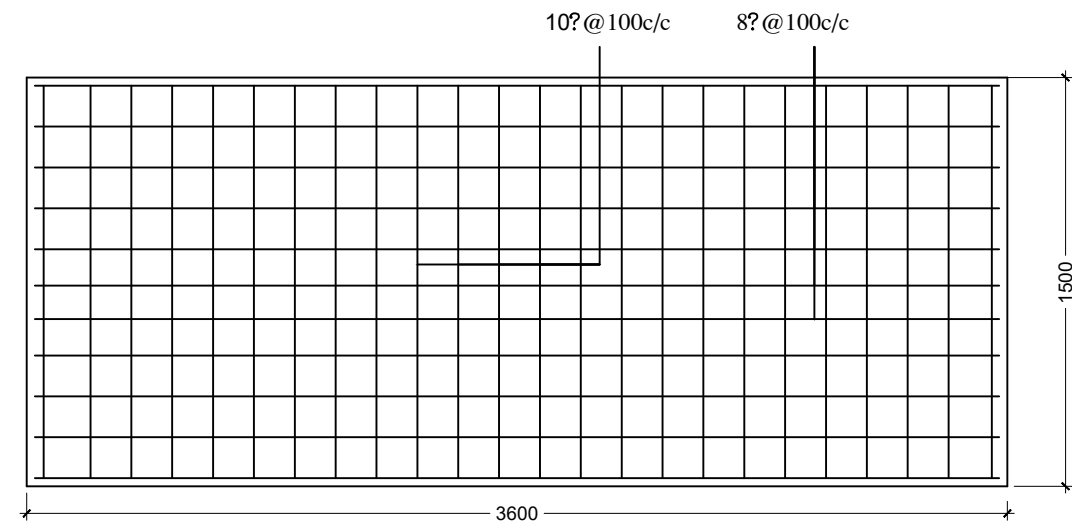
PLAN WITHOUT TOP SLAB



PLAN WITH TOP SLAB



SECTION X-X



SLAB REINFORCEMENTS IN PLAN

NOTES:

1. All dimensions in mm.
2. Donot measure from the drawings.
3. RCC slab to be M20 grade (2:1/2:3).
4. Steel grade Fe415 to be used.
5. Clear cover to reinf. bars is 15mm for the slab.
6. All internal walls to be plastered with 12.5mm CM 1:2.
7. All internal walls to be coated with three coats of bitunim paints.

PROJECT TITLE : Fuel Retail Outlet



LOCATION :  
JAMKHAR,  
TRASHIYANGTSE

DATE:  
NOVEMBER, 2021

SHEET NO S- 03

NOTE:

ALL DIMENSIONS ARE IN MILLIMETERS UNLESS SPECIFIED OTHERWISE  
ALL DIMENSIONS MEASURE UNFINISHED SURFACES UNLESS SPECIFIED OTHERWISE  
ALL DIMENSIONS ARE TO BE READ AND NOT SCALE OFF  
ANY DISCREPANCY IN DRAWING IS TO BE BROUGHT TO THE IMMEDIATE  
NOTICE OF THE ARCHITECT AND THE ENGINEER

DRAWING TITLE : SEPTIC TANK DETAILS

SCALE : NTS

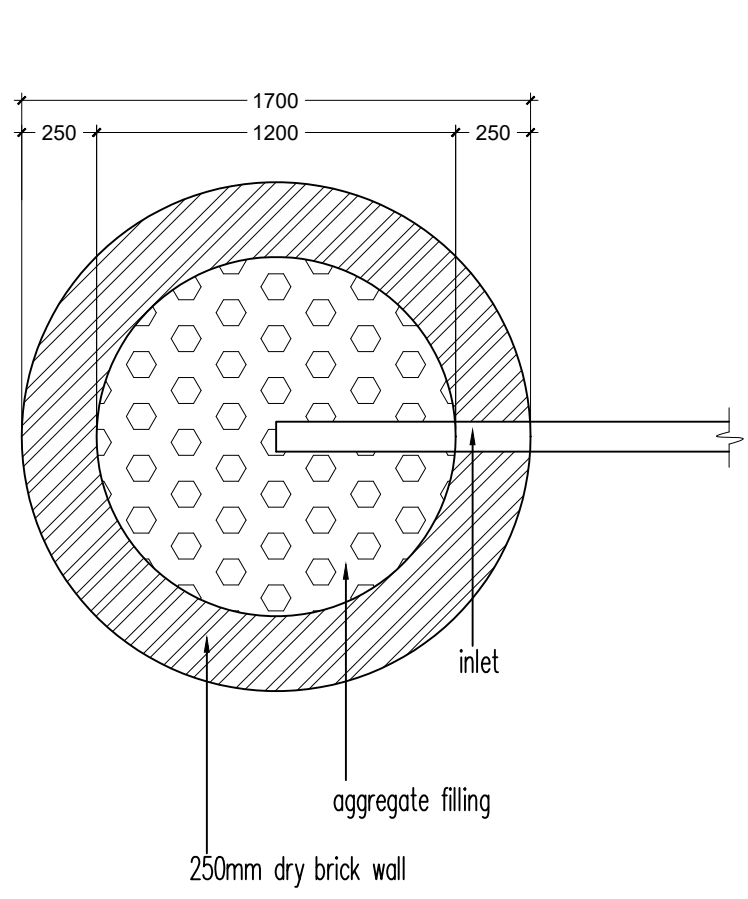
CERTIFICATE  
NO- TYE-195-1

PLOT NO-  
LJAM-20

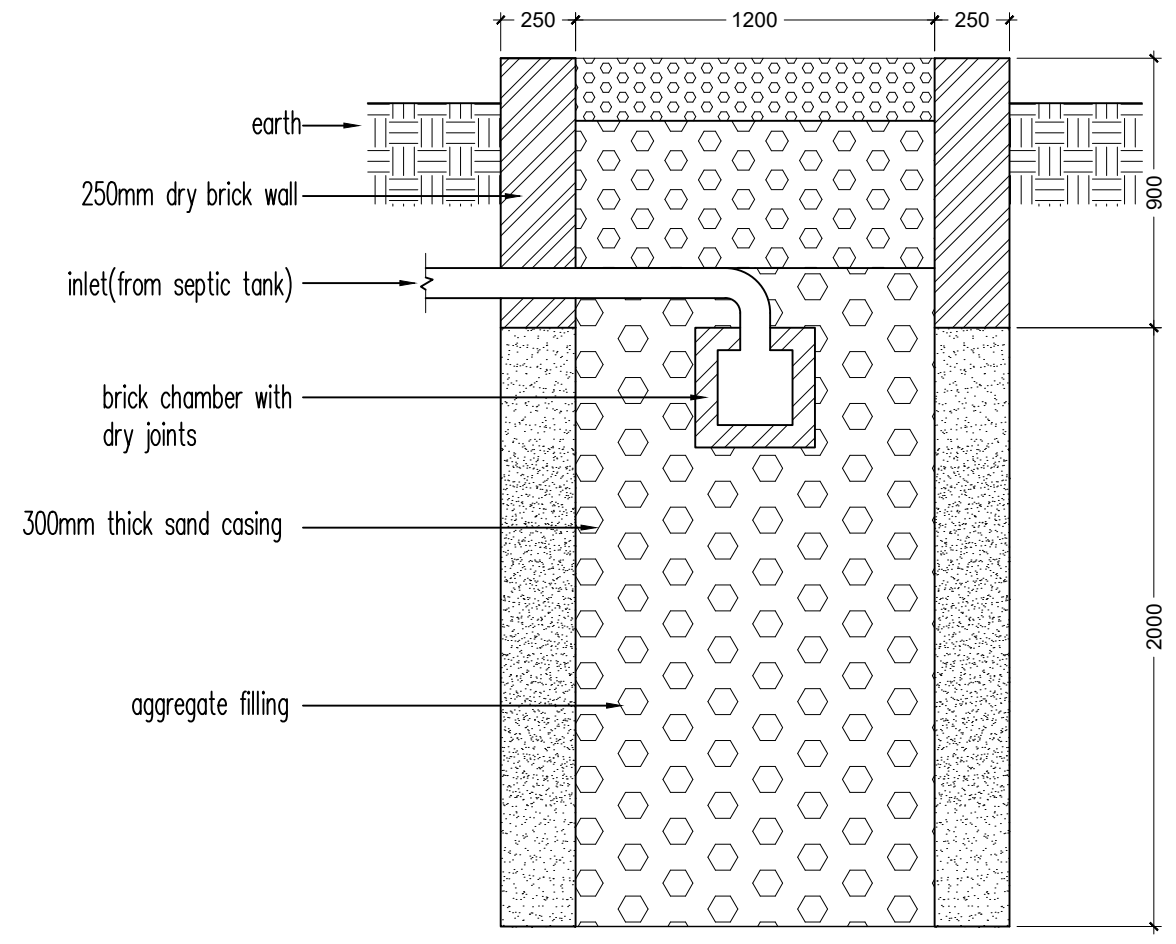
OWNER:  
STCBL

DESIGN & DRAWN BY

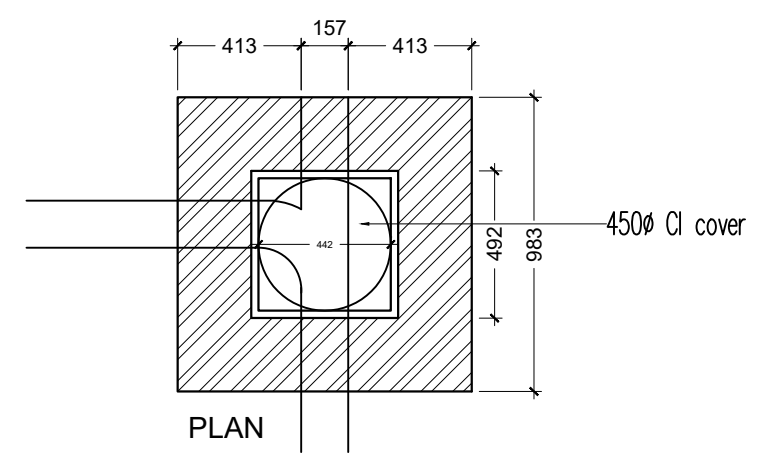
www.greendesign.com.bt  
gdshutan@gmail.com  
+975 1763132277845668  
FLAT NO 8/11 CONVENIENT  
STORE NEXT TO THIMPHU  
THROMDE BUILDING  
THIMPHU: BHUTAN



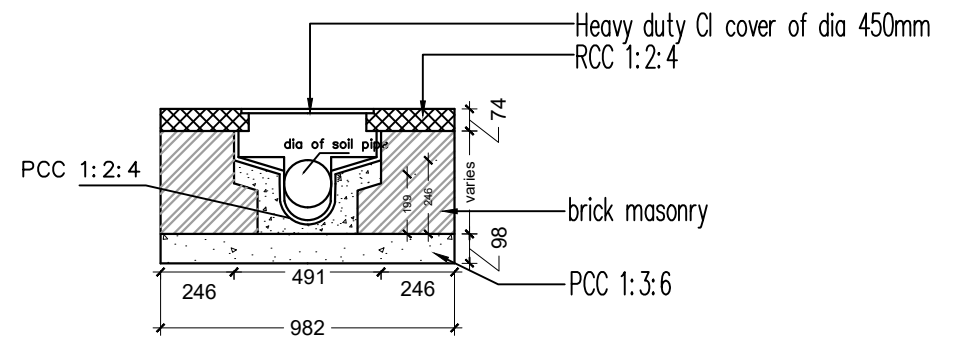
PLAN



SECTION



PLAN



SECTION  
Inspection Chamber Details

PROJECT TITLE : Fuel Retail Outlet		LOCATION : JAMKHAR, TRASHIYANGTSE		DATE: NOVEMBER, 2021	SHEET NO S- 04	NOTE: ALL DIMENSIONS ARE IN MILLIMETERS UNLESS SPECIFIED OTHERWISE ALL DIMENSIONS MEASURE UNFINISHED SURFACES UNLESS SPECIFIED OTHERWISE ALL DIMENSIONS ARE TO BE READ AND NOT SCALE OFF ANY DISCREPANCY IN DRAWING IS TO BE BROUGHT TO THE IMMEDIATE NOTICE OF THE ARCHITECT AND THE ENGINEER	www.greendesign.com.bt gdshutan@gmail.com +975 1763132277845668 FLAT NO 8/GONGDZIN LAM ABOVE 8/11 CONVENIENT STORE NEXT TO THIMPHU THROMDE BUILDING THIMPHU: BHUTAN
DRAWING TITLE : SEPTIC TANK DETAILS	SCALE : NTS	CERTIFICATE NO- TYE-195-1	PLOT NO- LJAM-20	OWNER: STCBL	DESIGN & DRAWN BY		